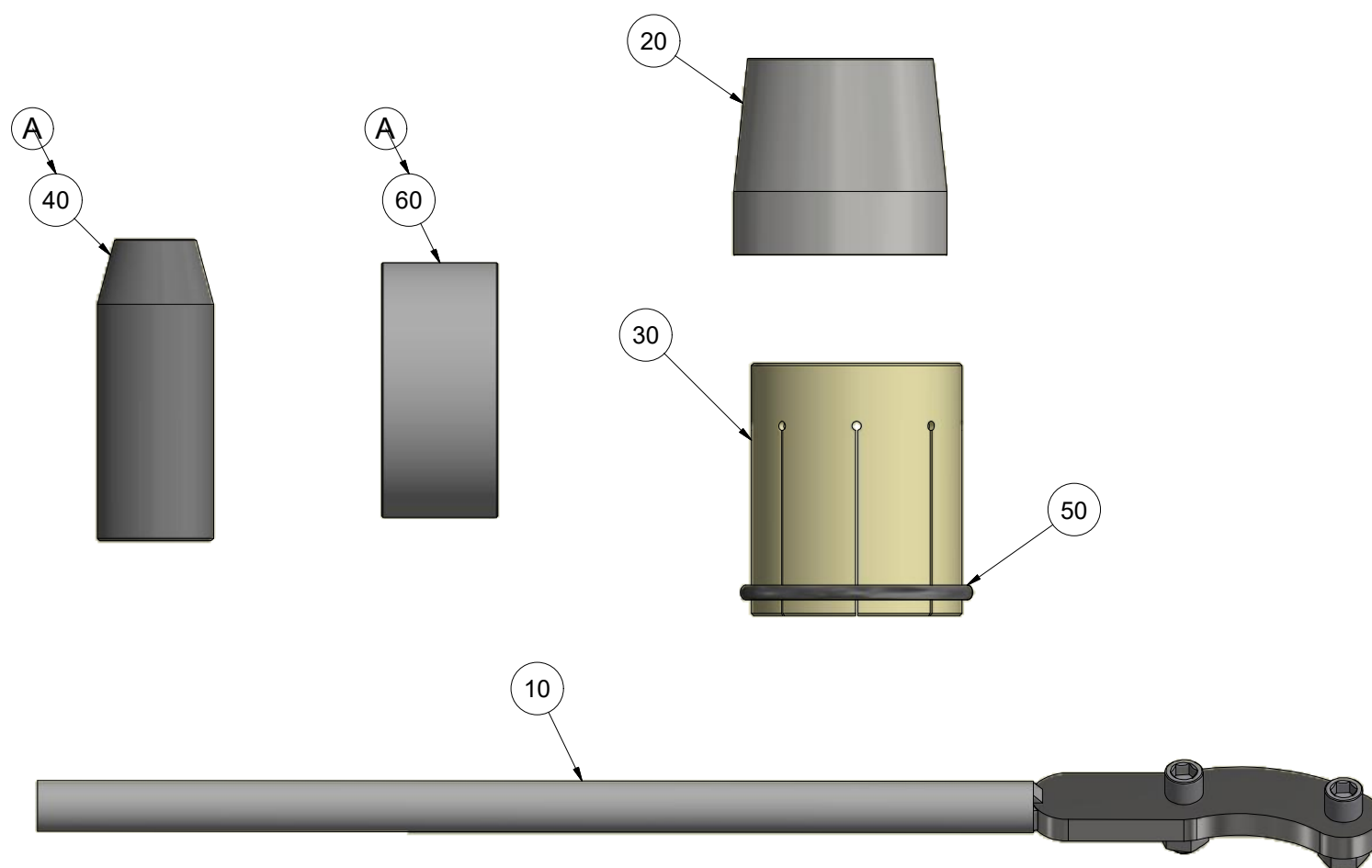


Reservedelsliste - Spare Part List - Ersatzteilliste

Pos.	Stk. Pcs. Stück	Vare nr. Item. no. Warennr.	Beskrivelse	Description	Beschreibung
10	1	9597816	Montagenøgle overdel KPL	Mounting key Gland comp.	Montageschlüssel Dichtungsbuchse kpl.
20	1	9597812	Montagebøsning f. Ø90 mm M-sko	Assembly bush f. Ø90 mm piston	Montagebuchse f. Ø90 mm stempel
30	1	9597813	Nylon Montagebøsning f. Ø90 mm M-sko	Nylon Assembly bush f. Ø90 mm Piston	Nylon Montagebuchse f. Ø90 mm Stempel
40	1	9597814	Montagebøsning f. Ø90/50 mm Stang	Assembly bush f. Ø90/50 mm Rod	Montagebuchse f. Ø90/50 mm Stab
50	1	31716	O-ring 5,7x 79,2	O-Ring 5,7x 79,2	O-Ring 5,7x 79,2
60	1	5272304	Kalibreringsbøsning ø90	Calibration bushing ø90	Kalibrierung Buchse ø90



Modification date	Modification no.	Replaces	Replaces date	Weight 4,91 kg
Tolerance	Title Toolkit for pitch cylinder V52 Vestas Item Nr: 20031411 (For 5050090)		Approved EJ Date 07.10.20	Project no.
	 Lind Jensens Maskinfabrik A/S Kroghusvej 7, Højmark DK-6940 Lem St		Signature OK Date 07.10.20	Material no. 9597815
			Scale (1 : 3)	Document no. 10000138745
			ISO E	Format A3 Sheet 1 / 1 Rev. 03
29.06.20	A-500000003642	This document and the information set forth herein are proprietary to LJM. The information is confidential and subject to copyright protection. The information is placed at the disposal of the receiver solely for personal use and only for manufacture, repair or use of original LJM products, according to contract or other written agreement hereon with LJM. The Information must not, either wholly or partly, be copied, reproduced, published or in any other way made available to any third part without written consent from LJM. The information must not, either directly or in succession, be transferred or handed over to any third part to the rights of the receiver.		