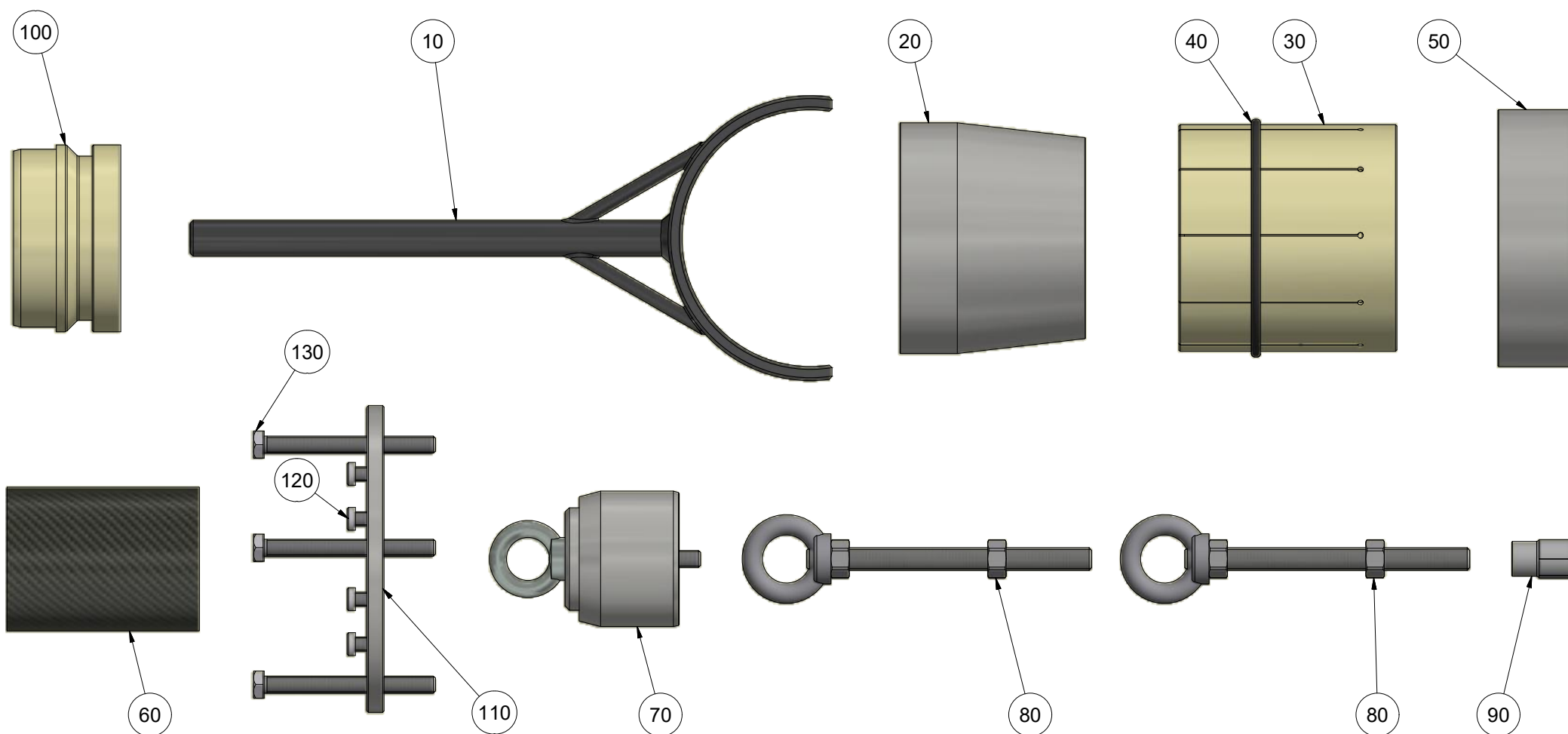
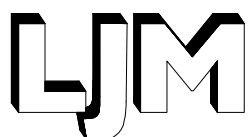


## Reservedelsliste - Spare Part List - Ersatzteilliste

Pos.	Stk. Pcs. Stück	Vare nr. Item. no. Warennr.	Beskrivelse	Description	Beschreibung
10	1	9515141	Montagenøgle til 5082467	Installation key for 5082467	Installationsschlüssel für 5082467
20	1	9515143	Montagebøsning for ø160 m-sko	Assembly bush for ø160 piston	Montagebuchse für ø160 kolben
30	1	9515160	Nylon montagebøsning for ø160 m-sko	Nylon assembly bush for ø160 piston	Nylon montagebuchse für ø160 kolben
40	1	31731	O-ring 5,7x154,3	O-ring 5,7x154,3	O-ring 5,7x154,3
50	1	9515163	Kalibreringsbøsning ø160	Calibration bushing ø160	Kalibrierung buchse ø160
60	1	45202	Stangbeskyttelsesafdækning - Vestas-V174	Rod protection cover - Vestas - V174	Stangenschutzhülle - Vestas - V174
70	1	9515142	Montagebøsning f. Ø95 mm stang	Assembly bush f. Ø95 mm stang	Montagebuchse f. Ø95 mm stab
80	2	9515144	Montage / løfte øje M16	Mounting / lifting eye M16	Montage- / Hebeöse M16
90	1	9515145	Topnøgle til 5082467	Socket wrench til 5082467	Steckschlüssel til 5082467
100	1	9515168	Pakningsholder til service (021-160/95)	Stuffing box for service (021-160/95)	Dichtungshalter für service (021-160/95)
110	1	9515169	Aftrækkerflange for dæmpebøsning	Pull flange for damping bush	Abzieh Flange für Dämpfungsbuchse
120	4	27933	Unbraco M10x 20 DIN 4762-8.8-flZnLnc720h	Allen screw M10x 20 DIN 4762-8.8-flZnLnc	Inbusschraube M10x 20 DIN 4762-8.8-flZnL
130	3	27949	Stålsætskrue M12x120 - FZV DIN 933-8.8	Setscrew M12x120 - FZV DIN 933-8.8	Schraube M12x120 - FZV DIN 933-8.8



Modification date	Modification no.	Replaces	Replaces date	Weight
				14,9 kg
Tolerance		Title		Approved
ISO 2768-mK		Tool kit for cylinder 5082467 [MVOW cylinder 300024225]		EJ
				Date
				06.07.20
				021-1319-50
				EJ
				06.07.20
				9515140
				Scale
				(1 : 4)
				Document no.
				10000219101
				ISO E
				Format
				A3
				Sheet
				1 / 1
				Rev.
				00



Lind Jensens Maskinfabrik A/S  
Kroghusvej 7, Højmark  
DK-6940 Lem St

This document and the information set forth herein are proprietary to LJM. The information is confidential and subject to copyright protection. The information is placed at the disposal of the receiver solely for personal use and only for manufacture, repair or use of original LJM products, according to contract or other written agreement hereon with LJM. The information must not, either wholly or partly, be copied, reproduced, published or in any other way made available to any third part without written consent from LJM. The information must not, either directly or in succession, be transferred or handed over to any third part to the rights of the receiver.