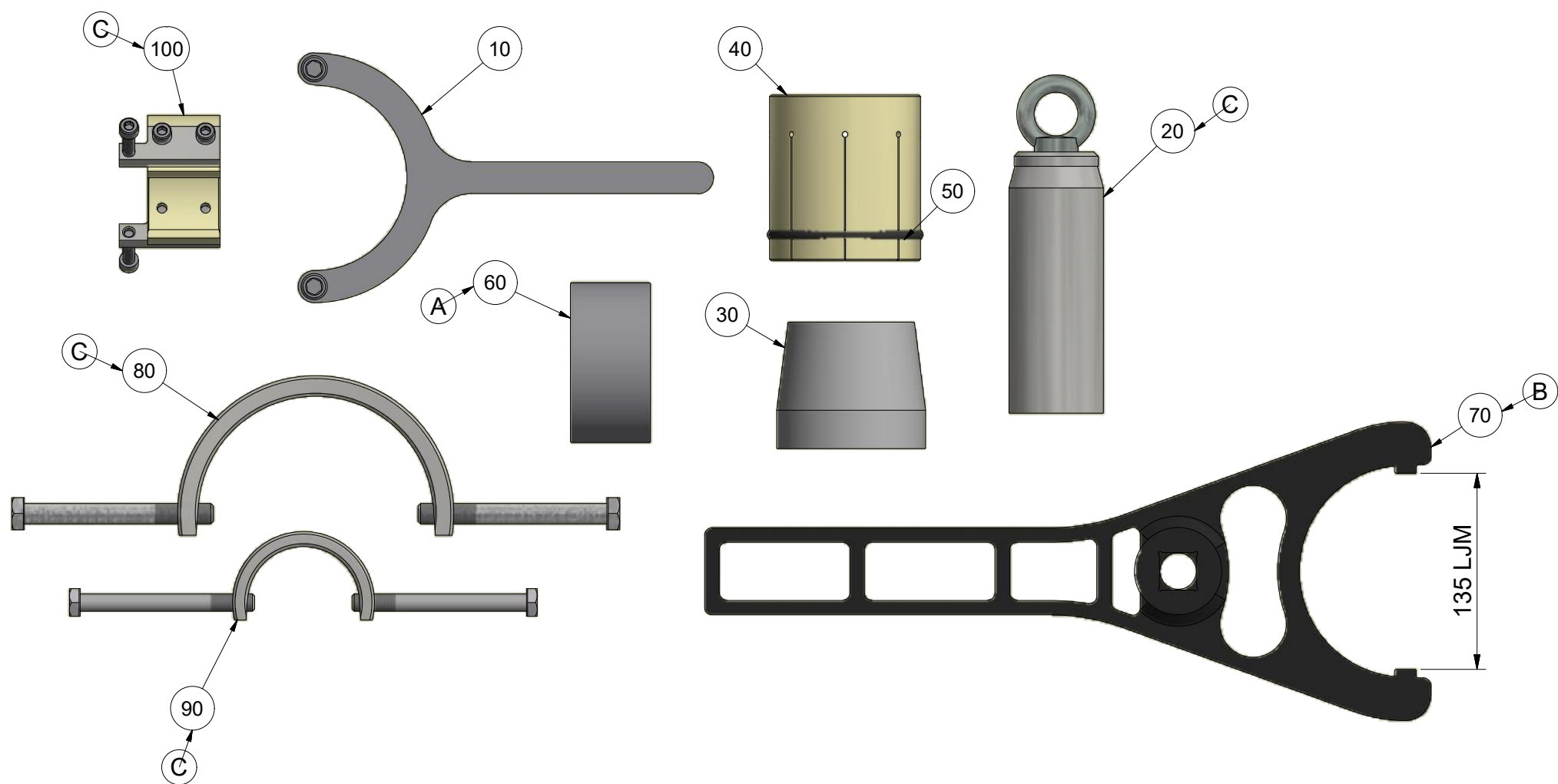


## Reservedelsliste - Spare Part List - Ersatzteilliste

Pos.	Stk. Pcs. Stück	Vare nr. Item. no. Warennr.	Beskrivelse	Description	Beschreibung
10	1	5271872	Montagenøgle 150mm	Mounting key 150mm	Montageschlüssel 150mm
20	1	9597821	Montagebøsning f. ø65mm Stang	Assembly bush f. Ø65 mm Rod	Montagebuchse f. Ø65 mm Stab
30	1	9597819	Montagebøsning f. Ø100 mm M-sko	Assembly bush f. Ø100 mm piston	Montagebuchse f. Ø100 mm Stempel
40	1	9597820	Nylon Montagebøsning f. Ø100 mm M-sko	Nylon Assembly bush f. Ø100 mm Piston	Nylon Montagebuchse f. Ø100 mm Kolben
50	1	31753	O-ring 5,7x 94,2	O-ring 5,7x 94,2	O-ring 5,7x 94,2
60	1	9597822	Kalibreringsbøsning ø100	Calibration bushing ø100	Kalibrierung Buchse ø100
70	1	9515167	Montagenøgle kontramøtrik 021-100	Mounting key Locking nut 021-100	Montageschlüssel Gegenmutter 021-100
80	1	9515149	Montagenøgle for flange (29082565)	Mounting key for flange (29082565)	Montageschlüssel Flansch (29082565)
90	1	9515166	Montagenøgle for AF=68	Mounting key for AF=68	Montageschlüssel für SW=68
100	1	9515165	Flangelås for (29082565) Ø80x50-PA6	Flange lock for (29082565) Ø80x50-PA6	Flanschsperr für (29082565) Ø80x50-PA6



<b>Modification date</b> 29.06.2020	<b>Modification no.</b> 500000003642	<b>Replaces</b>	<b>Replaces date</b>	<b>Weight</b> 10,2 kg
<b>Tolerance</b>	<b>Title</b> Toolkit 100/65 Vestas V no. 20012344 5056800;5057235;5057266		<b>Approved</b> EJ <b>Date</b> 02.07.20	<b>Project no.</b>
	<div style="display: inline-block; vertical-align: middle; margin-left: 10px;">                 Lind Jensens Maskinfabrik A/S                  Kroghusvej 7, Højmark                  DK-6940 Lem St             </div>		<b>Signature</b> KKF <b>Date</b> 02.07.20	<b>Material no.</b> 9515125
			<b>Scale</b> (1 : 4) <b>ISO E</b> <b>Format</b> A3	<b>Document no.</b> 10000142186

29.06.20	C-500000003642
11.06.20	B-500000003629
13.01.16	A-500000002113

**Date**    **Amendment no.**    This document and the information set forth herein are proprietary to LJM. The information is confidential and subject to copyright protection. The information is placed at the disposal of the receiver solely for personal use and only for manufacture, repair or use of original LJM products, according to contract or other written agreement hereon with LJM. The Information must not, either wholly or partly, be copied, reproduced, published or in any other way made available to any third part without written consent from LJM. The information must not, either directly or in succession, be transferred or handed over to any third part to the rights of the receiver. Rev.:03

**Requested amendment**