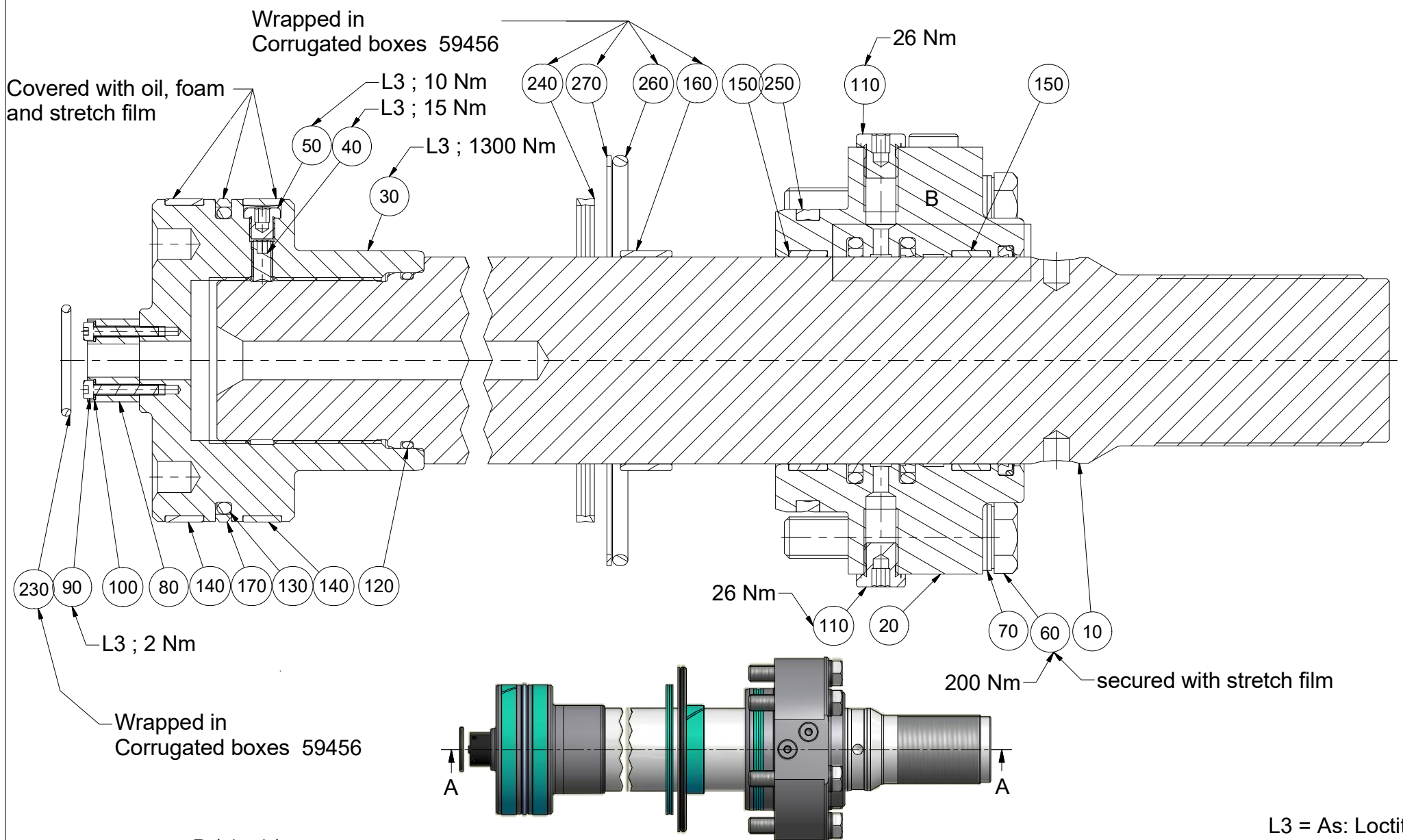
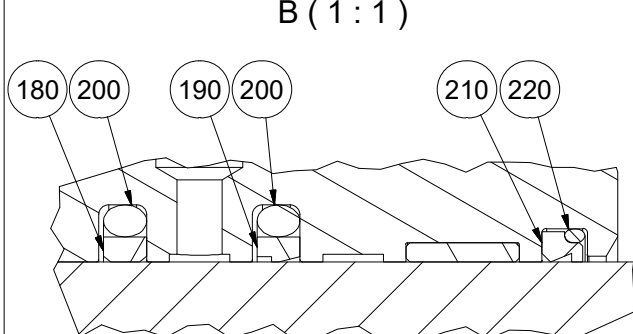


Reservedelsliste - Spare Part List - Ersatzteilliste

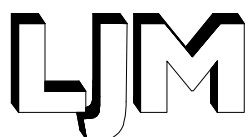
Pos.	Stk.	Vare nr.	Beskrivelse	Description	Beschreibung
	Pcs.	Item. no.			
	Stück	Warennr.			
10	1	5520432	SNH30-125/ 80X 922-G (3.1+CH)	SNH30-125/ 80X 922-G (3.1+CH)	SNH30-125/ 80X 922-G (3.1+CH)
20	1	5276097	Pakningsholder 021-125/80-(TN/TV)(3.1+c	Stuffing box 021-125/80-(TN/TV)(3.1+CH)	Dichtungshalter 021-125/80-(TN/TV)(3.1+c
30	1	5250988	M-sko 00000-125-"T"-(TN/TV)	Piston 00000-125-"T"-(TN/TV) (3.1+CH)	Kolben 00000-125-"T"-(TN/TV)
40	1	27129	Stopskrue M 8x 16 DIN 916-45H	Stop screw M 8x 16 DIN 916-45H	Stopschraube M 8x 16 DIN 916-45H
50	1	34138	Blændprop 1/8"RG - DIN 908 m/pakning	Plug 1/8"RG - DIN 908 with gasket	Stopfen 1/8"RG - DIN 908 mit Dichtung
60	6	27308	Stålbolt M16x 80 - FZB	Steel Bolt M16x 80 - FZB	Schraube M16x 80 - FZB
70	6	27989	Låseskive M16- DIN 25201-limet-FZB/GUL	Lockwasher-M16-DIN 25201-glue-FZB/Yel	Scheibe-M16- DIN 25201-kleben-FZB/Gelt
80	1	35704	BTL-P-2013-4R-SA14, BAM01ZP- Magne	BTL-P-2013-4R-SA14,BAM01ZP-Magneti	BTL-P-2013-4R-SA14, BAM01ZP- Magne
90	2	26043	Syrefast unbraco M 4X 25 DIN 912-A4	Acid proof Allen screw M4X25 DIN 912-A4	Säurebestandig Inbusschraube M4X25
100	2	26231	Syrefast c.f.j. skive ø4 - DIN 128-A4	Acidproof washer ø4 DIN 128-A4	Säurefest Federring ø4 DIN 128-A4
110	4	34142	Blændprop 1/4"RG - DIN 908 m/pakning	Plug 1/4"RG-DIN 908 with gasket	Stopfen 1/4"RG - DIN 908 mit Dichtung
120	1	31594	O-ring 3,53x59,92 70 Shore	O-ring 3,53x59,92 70 Shore	O-ring 3,53x59,92 70 Shore
130	1	31795	O-RING 5,33X107,32 70 SHORE	O-RING 5,33X107,32 70 SHORE	O-RING 5,33X107,32 70 SHORE
140	2	29291	STRIP 125/120X15,0	Guide ring 125/120X15,0	STRIP 125/120X15,0
150	2	29292	Strip 80/ 85X15,0	Guide ring 80/ 85X15,0	Führungsband 80/ 85X15,0
160	1	29293	STRIP 80/ 85X20,0	Guide ring 80/ 85X20,0	STRIP 80/ 85X20,0
170	1	29601	Seals PGB301250-M12 Stempelpakning	Seals PGB301250-M12	Seals PGB301250-M12
180	1	29602	Seals RGB300800-M12	Seals RGB300800-M12	Seals RGB300800-M12
190	1	29603	Seals RSK300800-M12	Seals RSK300800-M12	Seals RSK300800-M12
200	2	31796	O-ring 5,33X85,09 70 Shore	O-ring 5,33X85,09 70 Shore	O-ring 5,33X85,09 70 Shore
210	1	29604	Afstryger WE3200800-M12	Wiper WE3200800-M12	Abstreifer WE3200800-M12
220	1	31797	O-ring 3,53x 82,14 70 Shore	O-ring 3,53x 82,14 70 Shore	O-ring 3,53x 82,14 70 Shore
230	1	31605	O-ring 3,53X 37,70 90SHORE	O-ring 3,53X 37,70 90SHORE	O-ring 3,53X 37,70 90SHORE
240	1	29530	Dualseal 119,80/125x6,8-Z20	Dualseal 119,80/125x6,8-Z20	Dualseal 119,80/125x6,8-Z20
250	1	29535	Dualseal 108,4/117x9,0-Z20	Dualseal 108,4/117x9,0-Z20	Dualseal 108,4/117x9,0-Z20
260	1	31784	O-ring 5,33x151,77 70 Shore	O-ring 5,33x151,77 70 Shore	O-ring 5,33x151,77 70 Shore
270	1	31288	Back up-ring 5,33x151,77	Support ring 5,33x151,77	Stützring 5,33x151,77



L3 = As: Loctite 270



Modification date 08.06.2017	Modification no. 500000002647	Replaces	Replaces date	Weight 62,7 kg
Tolerance ISO 2768-mK		Title Rep sæt Heavy for Reservedelsalg 5066654		Approved KKF
Basic size range Tolerance		Date 09.06.17		Project no. 021-2709-10
Over	Up to	Linear	Angle	Signature EJ
0,5	3	± 0,1	± 1'00"	Date 09.06.17
3	6	± 0,1	± 1'00"	Material no. 5520432H
6	30	± 0,2	± 0'30"	Scale (1 : 5)
30	120	± 0,3	± 0'20"	ISO E <input type="checkbox"/> <input checked="" type="checkbox"/>
120	400	± 0,5	± 0'10"	Document no. 10000147625
400	1000	± 0,8	± 0'05"	Format A3
1000	2000	± 1,2	± 0'05"	Sheet 1 / 1
2000	4000	± 2,0	± 0'05"	Rev. 02



Lind Jensens Maskinfabrik A/S
Krogshusvej 7, Højmark
DK-6940 Lem St