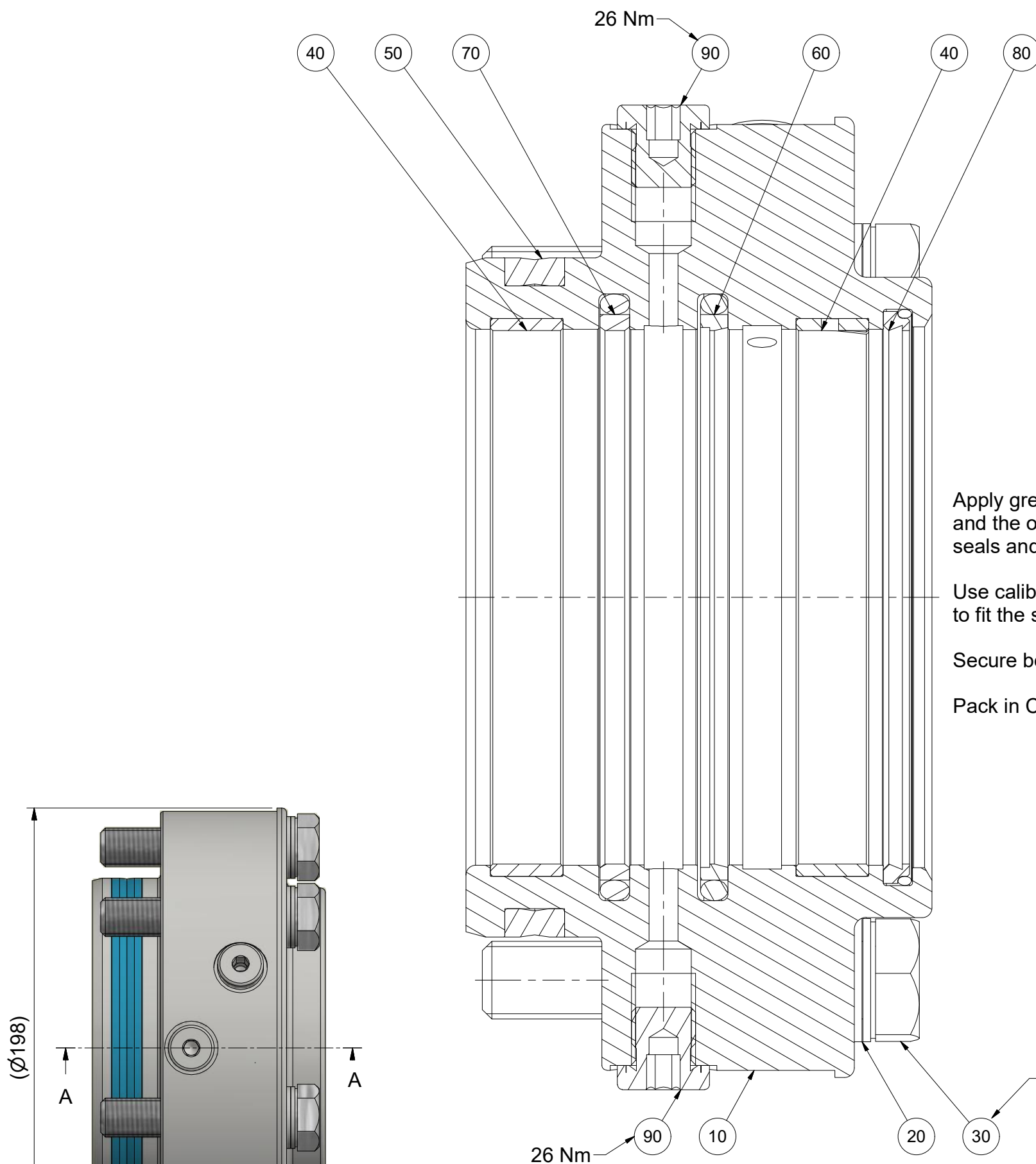


Reservedelsliste - Spare Part List - Ersatzteilliste

Pos.	Stk. Pcs. Stück	Vare nr. Item. no. Warennr.	Beskrivelse	Description	Beschreibung
10	1	5276112	Pakningsholder 021-160/110-(TN/TV)3.1+CH	Stuffing box 021-160/110-(TN/TV)3.1+CH	Dichtungshalte 021-160/110-(TN/TV)3.1+CH
20	6	27989	Låseskive M16- DIN 25201-limet-FZB/GUL	Lockwasher-M16-DIN 25201-glue-FZB/Yellow	Scheibe-M16- DIN 25201-kleben-FZB/Gelb
30	6	27308	Stålbolt M16x 80 - FZB	Steel Bolt M16x 80 - FZB	Schraube M16x 80 - FZB
40	2	29694	Strip 110/115x15,0	Guide ring 110/115x15,0	Führungsband 110/115x15,0
50	1	29596	Dualseal 128,4/140x12,3-Z20	Dualseal 128,4/140x12,3-Z20	Dualseal 128,4/140x12,3-Z20
60	1	29693	Seals RSK301100-M12T	Seals RSK301100-M12T	Seals RSK301100-M12T
70	1	29692	Seals RGB301100-M12T	Seals RGB301100-M12T	Seals RGB301100-M12T
80	1	29691	Afstryger WE3201100-M12T	Wiper WE3201100-M12T	Abstreifer WE3201100-M12T
90	4	34142	Blændprop 1/4"RG - DIN 908 m/pakning	Plug 1/4"RG-DIN 908 with gasket	Stopfen 1/4"RG - DIN 908 mit Dichtung



Apply grease(39109) to stuffing box inside and the outside seal groove before mounting seals and guide rings.

Use calibration cone(tapered mandrel) to fit the seals to rod diameter after mounting.

Secure bolts and washers with stretch film.

Pack in Cortec VCI bag and corrugated box.

150 Nm
Grease thread with Never-Seez
when mounting on cylinder.

Modification date 19.04.2018	Modification no. 500000002912	Replaces	Replaces date	Weight 9,62 kg																																			
Tolerance ISO 2768-mK		Title Stuffing box with seals Ø110 For 5082427, 5090315 (29080416)		Approved MB Date 23.04.18 Project no. 021-3815-3																																			
<table border="1" style="font-size: small;"> <thead> <tr> <th>Basic size range</th> <th>Up to</th> <th>Tolerance Linear</th> <th>Angle</th> </tr> </thead> <tbody> <tr><td>0,5</td><td>3</td><td>± 0,1</td><td>± 1'00"</td></tr> <tr><td>3</td><td>6</td><td>± 0,1</td><td>± 1'00"</td></tr> <tr><td>6</td><td>30</td><td>± 0,2</td><td>± 0'30"</td></tr> <tr><td>30</td><td>120</td><td>± 0,3</td><td>± 0'20"</td></tr> <tr><td>120</td><td>400</td><td>± 0,5</td><td>± 0'10"</td></tr> <tr><td>400</td><td>1000</td><td>± 0,8</td><td>± 0'05"</td></tr> <tr><td>1000</td><td>2000</td><td>± 1,2</td><td>± 0'05"</td></tr> <tr><td>2000</td><td>4000</td><td>± 2,0</td><td>± 0'05"</td></tr> </tbody> </table>		Basic size range	Up to	Tolerance Linear	Angle	0,5	3	± 0,1	± 1'00"	3	6	± 0,1	± 1'00"	6	30	± 0,2	± 0'30"	30	120	± 0,3	± 0'20"	120	400	± 0,5	± 0'10"	400	1000	± 0,8	± 0'05"	1000	2000	± 1,2	± 0'05"	2000	4000	± 2,0	± 0'05"	Signature EJ Date 23.04.18 Material no. 5276112R	
Basic size range	Up to	Tolerance Linear	Angle																																				
0,5	3	± 0,1	± 1'00"																																				
3	6	± 0,1	± 1'00"																																				
6	30	± 0,2	± 0'30"																																				
30	120	± 0,3	± 0'20"																																				
120	400	± 0,5	± 0'10"																																				
400	1000	± 0,8	± 0'05"																																				
1000	2000	± 1,2	± 0'05"																																				
2000	4000	± 2,0	± 0'05"																																				
<div style="display: inline-block; vertical-align: middle; font-size: x-small; margin-left: 10px;"> Lind Jensens Maskinfabrik A/S Kroghusvej 7, Højmark DK-6940 Lem St </div>		Scale (1 : 2) ISO E Document no. 10000147864																																					
		Format A3	Sheet 1 / 1	Rev. 01																																			

This document and the information set forth herein are proprietary to LJM. The information is confidential and subject to copyright protection. The information is placed at the disposal of the receiver solely for personal use and only for manufacture, repair or use of original LJM products, according to contract or other written agreement hereon with LJM. The information must not, either wholly or partly, be copied, reproduced, published or in any other way made available to any third part without written consent from LJM. The information must not, either directly or in succession, be transferred or handed over to any third part to the rights of the receiver.