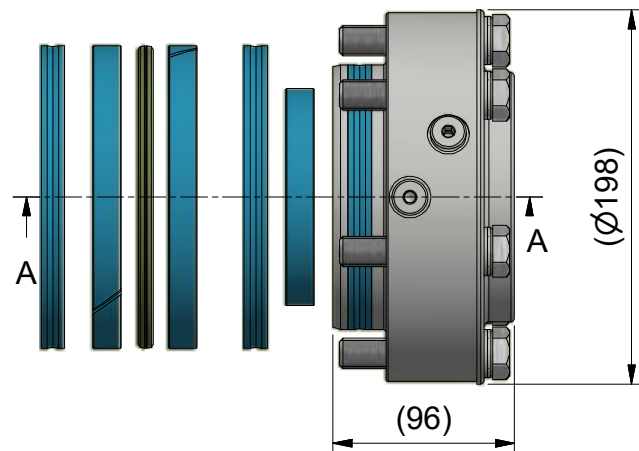
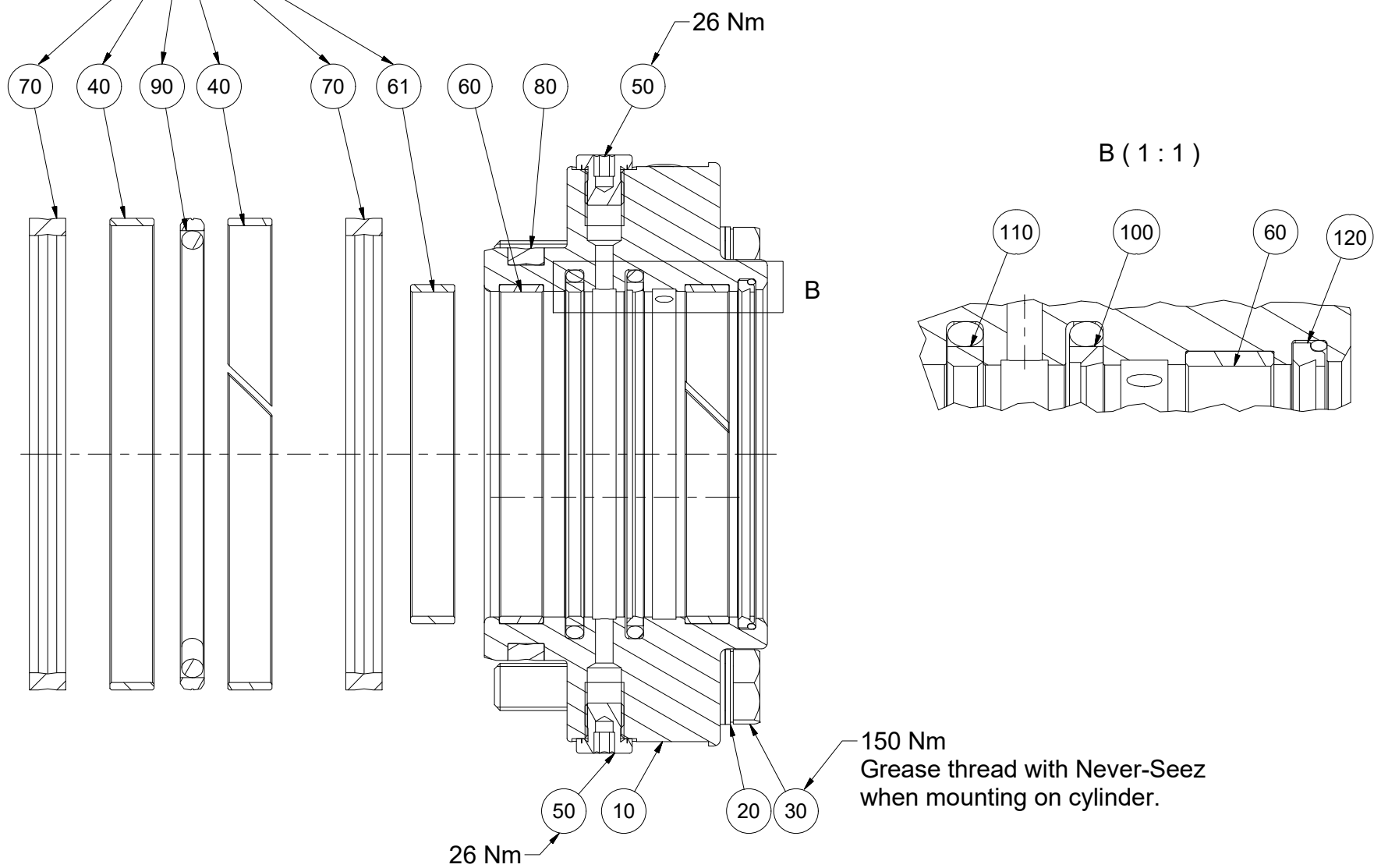


## Reservedelsliste - Spare Part List - Ersatzteilliste

Pos.	Stk. Pcs. Stück	Vare nr. Item. no. Warennr.	Beskrivelse	Description	Beschreibung
10	1	5276112	Pakningsholder 021-160/110-(TN/TV)3.1+CH	Stuffing box 021-160/110-(TN/TV)3.1+CH	Dichtungshalte 021-160/110-(TN/TV)3.1+CH
20	6	27989	Låseskive M16- DIN 25201-limet-FZB/GUL	Lockwasher-M16-DIN 25201-glue-FZB/Yellow	Scheibe-M16- DIN 25201-kleben-FZB/Gelb
30	6	27308	Stålbolt M16x 80 - FZB	Steel Bolt M16x 80 - FZB	Schraube M16x 80 - FZB
40	2	29676	Strip 160/155x15,0	Guide ring 160/155x15,0	Führungsband 160/155x15,0
50	4	34142	Blændprop 1/4"RG - DIN 908 m/pakning	Plug 1/4"RG-DIN 908 with gasket	Stopfen 1/4"RG - DIN 908 mit Dichtung
60	2	29694	Strip 110/115x15,0	Guide ring 110/115x15,0	Führungsband 110/115x15,0
61	1	29694	Strip 110/115x15,0	Guide ring 110/115x15,0	Führungsband 110/115x15,0
70	2	29595	Dualseal 148,4/160x12,3-Z20	Dualseal 148,4/160x12,3-Z20	Dualseal 148,4/160x12,3-Z20
80	1	29596	Dualseal 128,4/140x12,3-Z20	Dualseal 128,4/140x12,3-Z20	Dualseal 128,4/140x12,3-Z20
90	1	29672	Seals PGS401600-M12T Stempelpakning	Seals PGS401600-M12T Piston seal	Seals PGS401600-M12T Kolbendichtung
100	1	29693	Seals RSK301100-M12T	Seals RSK301100-M12T	Seals RSK301100-M12T
110	1	29692	Seals RGB301100-M12T	Seals RGB301100-M12T	Seals RGB301100-M12T
120	1	29691	Afstryger WE3201100-M12T	Wiper WE3201100-M12T	Abstreifer WE3201100-M12T

Wrapped in corrugated box



Apply grease(39109) to stuffing box inside and the outside seal groove before mounting seals and guide rings.

Use calibration cone(tapered mandrel) to fit the seals to rod diameter after mounting.

Secure bolts and washers with stretch film.

Pack in Cortec VCI bag and corrugated box.

Modification date <b>19.04.2018</b>	Modification no. <b>500000002912</b>	Replaces	Replaces date	Weight <b>9,77 kg</b>																																								
Tolerance <b>ISO 2768-mK</b>		Title <b>Repair kit Light Sparepart Sales 160/110 For 5082427 (29080417)</b>		Approved <b>MB</b>																																								
<table border="1" style="font-size: small;"> <thead> <tr> <th>Basic size range</th> <th>Tolerance</th> <th>Linear</th> <th>Angle</th> </tr> </thead> <tbody> <tr> <td>Over</td> <td>Up to</td> <td></td> <td></td> </tr> <tr> <td>0,5</td> <td>3</td> <td>± 0,1</td> <td>± 1'00"</td> </tr> <tr> <td>3</td> <td>6</td> <td>± 0,1</td> <td>± 1'00"</td> </tr> <tr> <td>6</td> <td>30</td> <td>± 0,2</td> <td>± 0'30"</td> </tr> <tr> <td>30</td> <td>120</td> <td>± 0,3</td> <td>± 0'20"</td> </tr> <tr> <td>120</td> <td>400</td> <td>± 0,5</td> <td>± 0'10"</td> </tr> <tr> <td>400</td> <td>1000</td> <td>± 0,8</td> <td>± 0'05"</td> </tr> <tr> <td>1000</td> <td>2000</td> <td>± 1,2</td> <td>± 0'05"</td> </tr> <tr> <td>2000</td> <td>4000</td> <td>± 2,0</td> <td>± 0'05"</td> </tr> </tbody> </table>		Basic size range	Tolerance	Linear	Angle	Over	Up to			0,5	3	± 0,1	± 1'00"	3	6	± 0,1	± 1'00"	6	30	± 0,2	± 0'30"	30	120	± 0,3	± 0'20"	120	400	± 0,5	± 0'10"	400	1000	± 0,8	± 0'05"	1000	2000	± 1,2	± 0'05"	2000	4000	± 2,0	± 0'05"	Date <b>24.04.18</b>		Project no. <b>021-3815-3</b>
Basic size range	Tolerance	Linear	Angle																																									
Over	Up to																																											
0,5	3	± 0,1	± 1'00"																																									
3	6	± 0,1	± 1'00"																																									
6	30	± 0,2	± 0'30"																																									
30	120	± 0,3	± 0'20"																																									
120	400	± 0,5	± 0'10"																																									
400	1000	± 0,8	± 0'05"																																									
1000	2000	± 1,2	± 0'05"																																									
2000	4000	± 2,0	± 0'05"																																									
Lind Jensens Maskinfabrik A/S Kroghusvej 7, Højmark DK-6940 Lem St		Signature <b>EJ</b>		Material no. <b>5276112L</b>																																								
		Date <b>24.04.18</b>		Document no. <b>10000147873</b>																																								
		Scale <b>(1 : 4)</b>		ISO E																																								
		Format <b>A3</b>		Sheet <b>1 / 1</b> Rev. <b>01</b>																																								

This document and the information set forth herein are proprietary to LJM. The information is confidential and subject to copyright protection. The information is placed at the disposal of the receiver solely for personal use and only for manufacture, repair or use of original LJM products, according to contract or other written agreement hereon with LJM. The information must not, either wholly or partly, be copied, reproduced, published or in any other way made available to any third part without written consent from LJM. The information must not, either directly or in succession, be transferred or handed over to any third part to the rights of the receiver. Rev.:03