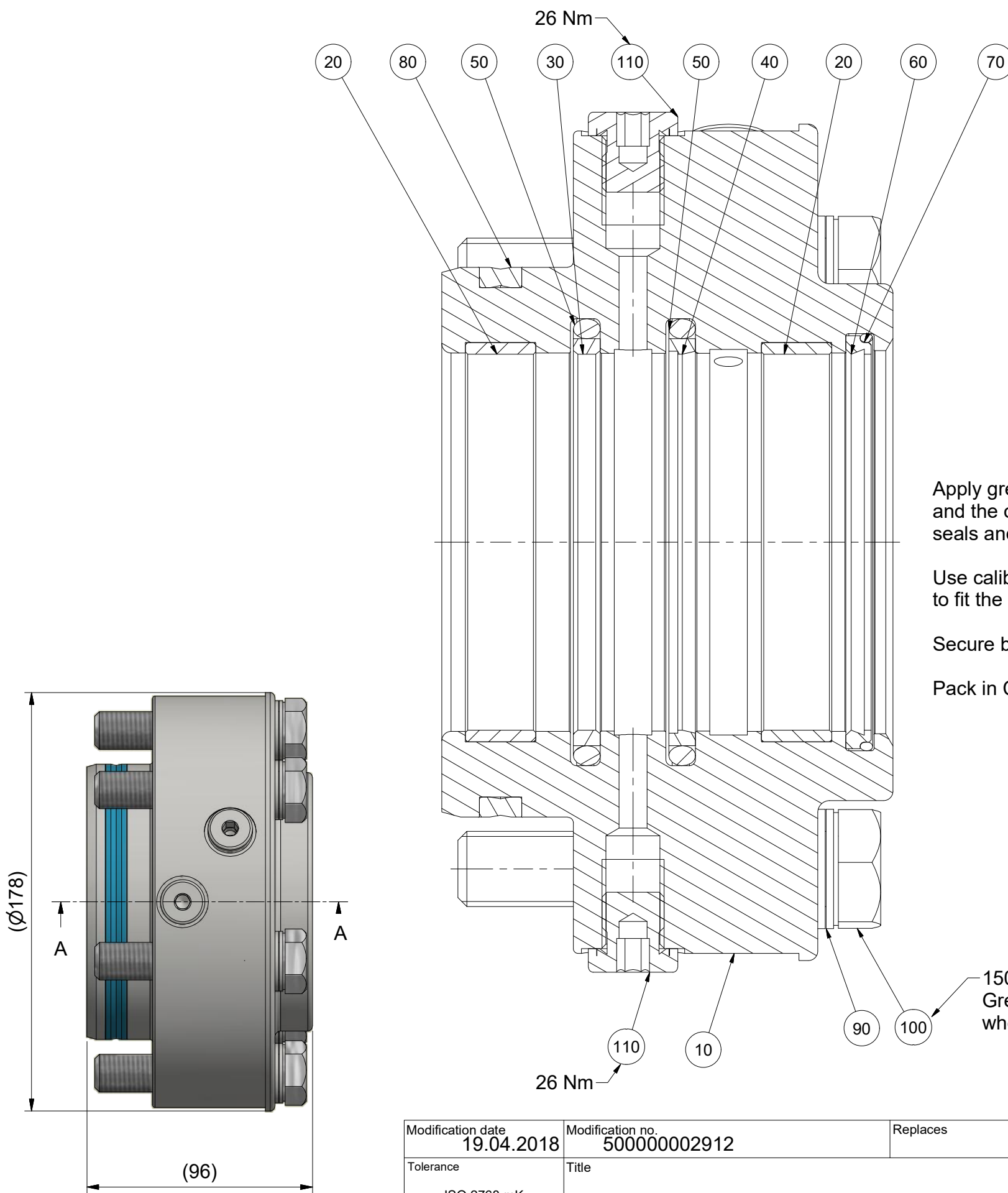


Reservedelsliste - Spare Part List - Ersatzteilliste

Pos.	Stk. Pcs. Stück	Vare nr. Item. no. Warennr.	Beskrivelse	Description	Beschreibung
10	1	5276110	Pakningsholder 021-125/80-(TN/TV)(3.1+CH)	Stuffing box 021-125/80-(TN/TV)(3.1+CH)	Dichtungshalte 021-125/80-(TN/TV)(3.1+CH)
20	2	29292	Strip 80/ 85X15,0	Guide ring 80/ 85X15,0	Führungsband 80/ 85X15,0
30	1	29602	Seals RGB300800-M12	Seals RGB300800-M12	Seals RGB300800-M12
40	1	29603	Seals RSK300800-M12	Seals RSK300800-M12	Seals RSK300800-M12
50	2	31796	O-ring 5,33X85,09 70 Shore	O-ring 5,33X85,09 70 Shore	O-ring 5,33X85,09 70 Shore
60	1	29604	Afstryger WE3200800-M12	Wiper WE3200800-M12	Abstreifer WE3200800-M12
70	1	31797	O-ring 3,53x 82,14 70 Shore	O-ring 3,53x 82,14 70 Shore	O-ring 3,53x 82,14 70 Shore
80	1	29535	Dualseal 108,4/117x9,0-Z20	Dualseal 108,4/117x9,0-Z20	Dualseal 108,4/117x9,0-Z20
90	6	27989	Låseskive M16- DIN 25201-limet-FZB/GUL	Lockwasher-M16-DIN 25201-glue-FZB/Yellow	Scheibe-M16- DIN 25201-kleben-FZB/Gelb
100	6	27308	Stålbolt M16x 80 - FZB	Steel Bolt M16x 80 - FZB	Schraube M16x 80 - FZB
110	4	34142	Blændprop 1/4"RG - DIN 908 m/pakning	Plug 1/4"RG-DIN 908 with gasket	Stopfen 1/4"RG - DIN 908 mit Dichtung



Apply grease(39109) to stuffing box inside and the outside seal groove before mounting seals and guide rings.

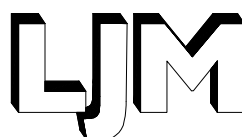
Use calibration cone(tapered mandrel) to fit the seals to rod diameter after mounting.

Secure bolts and washers with stretch film.

Pack in Cortec VCI bag and corrugated box.

150 Nm
Grease thread with Never-Seez when mounting on cylinder.

Modification date 19.04.2018	Modification no. 500000002912	Replaces	Replaces date	Weight 9,33 kg																																								
Tolerance ISO 2768-mK		Title Stuffing box with seals Ø80 For 5066792, 5066793 (29080472)		Approved MB																																								
<table border="1" style="font-size: small;"> <thead> <tr> <th>Basic size range</th> <th>Tolerance</th> <th>Linear</th> <th>Angle</th> </tr> </thead> <tbody> <tr> <td>Over Up to</td> <td></td> <td></td> <td></td> </tr> <tr> <td>0,5 3</td> <td>± 0,1</td> <td>± 1'00"</td> <td></td> </tr> <tr> <td>3 6</td> <td>± 0,1</td> <td>± 1'00"</td> <td></td> </tr> <tr> <td>6 30</td> <td>± 0,2</td> <td>± 0'30"</td> <td></td> </tr> <tr> <td>30 120</td> <td>± 0,3</td> <td>± 0'20"</td> <td></td> </tr> <tr> <td>120 400</td> <td>± 0,5</td> <td>± 0'10"</td> <td></td> </tr> <tr> <td>400 1000</td> <td>± 0,8</td> <td>± 0'05"</td> <td></td> </tr> <tr> <td>1000 2000</td> <td>± 1,2</td> <td>± 0'05"</td> <td></td> </tr> <tr> <td>2000 4000</td> <td>± 2,0</td> <td>± 0'05"</td> <td></td> </tr> </tbody> </table>		Basic size range	Tolerance	Linear	Angle	Over Up to				0,5 3	± 0,1	± 1'00"		3 6	± 0,1	± 1'00"		6 30	± 0,2	± 0'30"		30 120	± 0,3	± 0'20"		120 400	± 0,5	± 0'10"		400 1000	± 0,8	± 0'05"		1000 2000	± 1,2	± 0'05"		2000 4000	± 2,0	± 0'05"		Date 23.04.18		Project no. 021-2115-3
Basic size range	Tolerance	Linear	Angle																																									
Over Up to																																												
0,5 3	± 0,1	± 1'00"																																										
3 6	± 0,1	± 1'00"																																										
6 30	± 0,2	± 0'30"																																										
30 120	± 0,3	± 0'20"																																										
120 400	± 0,5	± 0'10"																																										
400 1000	± 0,8	± 0'05"																																										
1000 2000	± 1,2	± 0'05"																																										
2000 4000	± 2,0	± 0'05"																																										
		Signature EJ		Material no. 5276110R																																								
		Date 23.04.18		Document no. 10000147721																																								
		Scale (1 : 2)		ISO E																																								
		Format A3		Sheet 1 / 1 Rev. 01																																								



Lind Jensens Maskinfabrik A/S
Kroghusvej 7, Højmark
DK-6940 Lem St

This document and the information set forth herein are proprietary to LJM. The information is confidential and subject to copyright protection. The information is placed at the disposal of the receiver solely for personal use and only for manufacture, repair or use of original LJM products, according to contract or other written agreement hereon with LJM. The information must not, either wholly or partly, be copied, reproduced, published or in any other way made available to any third part without written consent from LJM. The information must not, either directly or in succession, be transferred or handed over to any third part to the rights of the receiver. Rev.:03