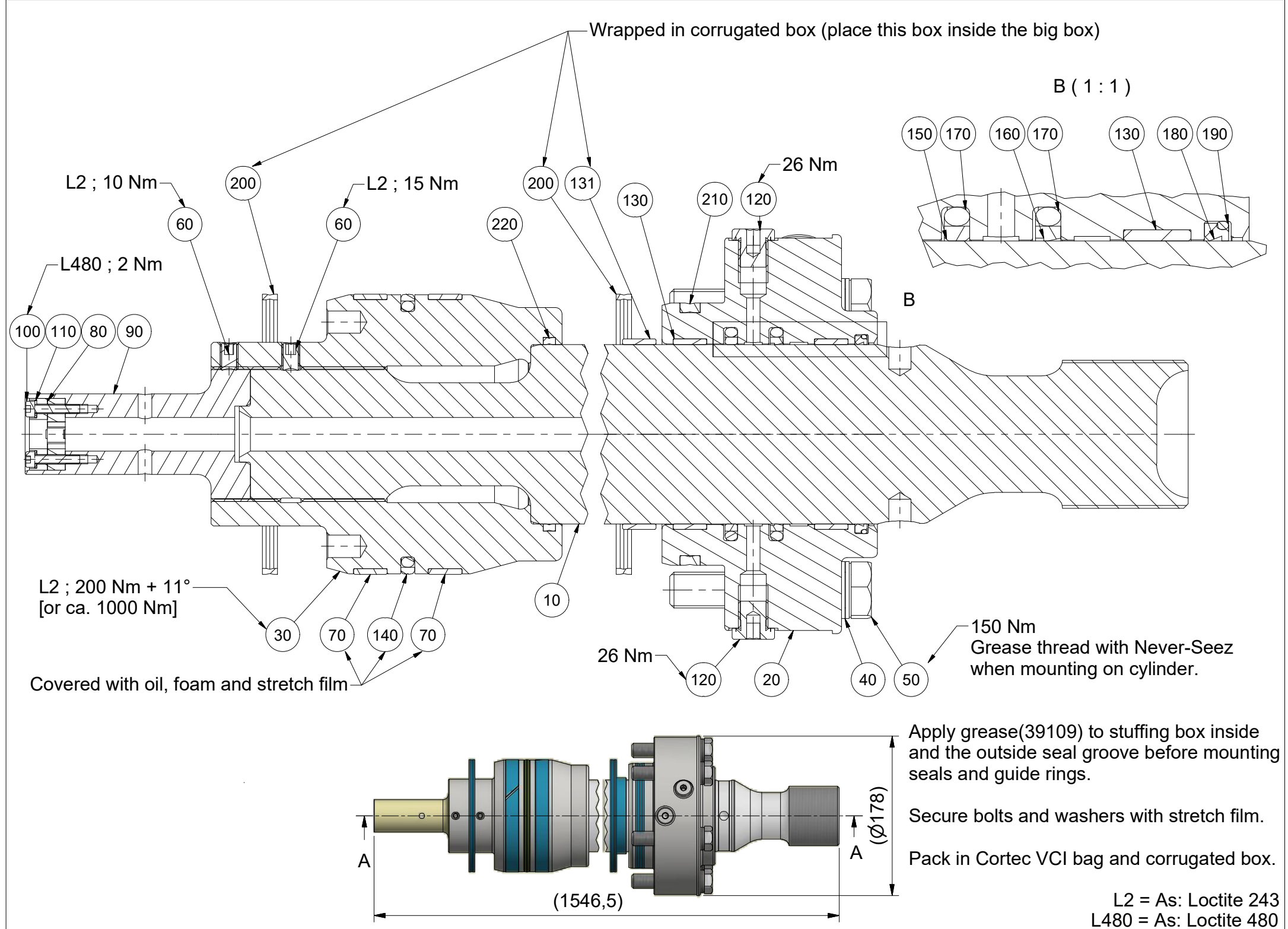


## Reservedelsliste - Spare Part List - Ersatzteilliste

Pos.	Stk. Pcs. Stück	Vare nr. Item. no. Warennr.	Beskrivelse	Description	Beschreibung
10	1	5520459	021-125/ 80x 922-G (3.1+CH)-(Induk.)	021-125/ 80x 922-G (3.1+CH)-(Induk.)	021-125/ 80x 922-G (3.1+CH)-(Induk.)
20	1	5276110	Pakningsholder 021-125/80-(TN/TV)(3.1+CH)	Stuffing box 021-125/80-(TN/TV)(3.1+CH)	Dichtungshalte 021-125/80-(TN/TV)(3.1+CH)
30	1	5251589	M-sko 00000-125-(TN/TV) (3.1+CH)	Piston 00000-125-(TN/TV) (3.1+CH)	Kolben 00000-125-(TN/TV) (3.1+CH)
40	6	27989	Låseskive M16- DIN 25201-limet-FZB/GUL	Lockwasher-M16-DIN 25201-gluue-FZB/Yellow	Scheibe-M16- DIN 25201-kleben-FZB/Gelb
50	6	27308	Stålbolt M16x 80 - FZB	Steel Bolt M16x 80 - FZB	Schraube M16x 80 - FZB
60	2	27270	Stopskrue M 8x 12 DIN 916-45H	Stop screw M 8x 12 DIN 916-45H	Stopschraube M 8x 12 DIN 916-45H
70	2	29291	STRIP 125/120X15,0	Guide ring 125/120X15,0	STRIP 125/120X15,0
80	1	35076	BTL-P-1013-4R-SA9 Magnetskive	BTL-P-1013-4R Magnetic disc	BTL-P-1013-4R Magnetscheibe
90	1	5271888	Magnetholder ø 36x 82,5-POM	Magnet mounting ø 36x 82,5-POM	Magnethalter ø 36x 82,5-POM
100	2	26018	Syrefast Unbraco M 4x 20 - DIN 912	Acid proof allen screw M 4x 20 DIN 912	Säurefest Inbusschraube M 4x 20 DIN 912
110	2	26231	Syrefast c.fj. skive ø4 - DIN 128-A4	Acidproof washer ø4 DIN 128-A4	Säurefest Federring ø4 DIN 128-A4
120	4	34142	Blændprop 1/4"RG - DIN 908 m/pakning	Plug 1/4"RG-DIN 908 with gasket	Stopfen 1/4"RG - DIN 908 mit Dichtung
130	2	29292	Strip 80/ 85X15,0	Guide ring 80/ 85X15,0	Führungsband 80/ 85X15,0
131	1	29292	Strip 80/ 85X15,0	Guide ring 80/ 85X15,0	Führungsband 80/ 85X15,0
140	1	29744	Seals PGS301250-M12T Stempelpakning	Piston seal PGS301250-M12T	Kolbendichtung PGS301250-M12T
150	1	29602	Seals RGB300800-M12	Seals RGB300800-M12	Seals RGB300800-M12
160	1	29603	Seals RSK300800-M12	Seals RSK300800-M12	Seals RSK300800-M12
170	2	31796	O-ring 5,33X85,09 70 Shore	O-ring 5,33X85,09 70 Shore	O-ring 5,33X85,09 70 Shore
180	1	29604	Afstryger WE3200800-M12	Wiper WE3200800-M12	Abstreifer WE3200800-M12
190	1	31797	O-ring 3,53x 82,14 70 Shore	O-ring 3,53x 82,14 70 Shore	O-ring 3,53x 82,14 70 Shore
200	2	29530	Dualseal 119,80/125x6,8-Z20	Dualseal 119,80/125x6,8-Z20	Dualseal 119,80/125x6,8-Z20
210	1	29535	Dualseal 108,4/117x9,0-Z20	Dualseal 108,4/117x9,0-Z20	Dualseal 108,4/117x9,0-Z20
220	1	29726	Dualseal 80/86,4x5,5-Z20	Dualseal 80/86,4x5,5-Z20	Dualseal 80/86,4x5,5-Z20



Modification date <b>19.04.2018</b>	Modification no. <b>500000002912</b>	Replaces	Replaces date	Weight <b>68 kg</b>
Tolerance <b>ISO 2768-mK</b>	Title <b>Repair kit Heavy Sparepart Sales 125/ 80 For 5066793 (29080471)</b>		Approved <b>MB</b>	Project no. <b>021-2115-3</b>
Basic size range   Tolerance Over   Up to   Linear   Angle			Date <b>23.04.18</b>	Material no. <b>5276110H</b>
0,5   3   ± 0,1   ± 1'00"			Signature <b>EJ</b>	Document no. <b>10000147839</b>
3   6   ± 0,1   ± 1'00"			Date <b>23.04.18</b>	
6   30   ± 0,2   ± 0'30"			Scale <b>(1 : 5)</b>	
30   120   ± 0,3   ± 0'20"			ISO E	
120   400   ± 0,5   ± 0'10"			Format <b>A3</b>	Sheet <b>1 / 1</b> Rev. <b>01</b>
400   1000   ± 0,8   ± 0'05"				
1000   2000   ± 1,2   ± 0'05"				
2000   4000   ± 2,0   ± 0'05"				

This document and the information set forth herein are proprietary to LJM. The information is confidential and subject to copyright protection. The information is placed at the disposal of the receiver solely for personal use and only for manufacture, repair or use of original LJM products, according to contract or other written agreement hereon with LJM. The information must not, either wholly or partly, be copied, reproduced, published or in any other way made available to any third party without written consent from LJM. The information must not, either directly or in succession, be transferred or handed over to any third party to the rights of the receiver. Rev.:03