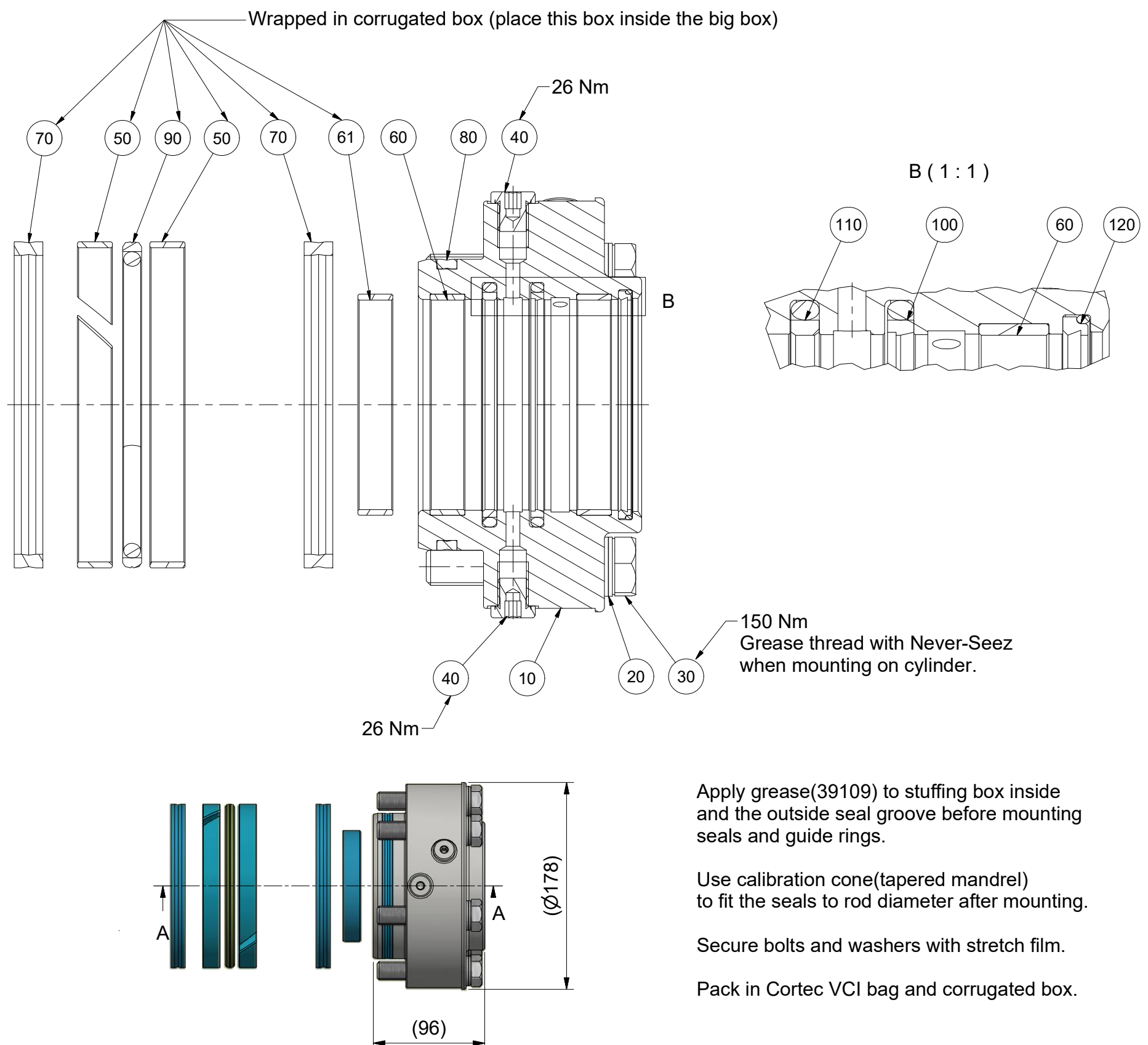


Reservedelsliste - Spare Part List - Ersatzteilliste

Pos.	Stk. Pcs. Stück	Vare nr. Item. no. Warennr.	Beskrivelse	Description	Beschreibung
10	1	5276108	Pakningsholder 021-140/90-(TN/TV)(3.1+CH)	Stuffing box 021-140/ 90-(TN/TV) (3.1+CH)	Dichtungshalte 021-140/90-(TN/TV)(3.1+CH)
20	6	27989	Låseskive M16- DIN 25201-limet-FZB/GUL	Lockwasher-M16-DIN 25201-glue-FZB/Yellow	Scheibe-M16- DIN 25201-kleben-FZB/Gelb
30	6	27308	Stålbolt M16x 80 - FZB	Steel Bolt M16x 80 - FZB	Schraube M16x 80 - FZB
40	4	34142	Blændprop 1/4"RG - DIN 908 m/pakning	Plug 1/4"RG-DIN 908 with gasket	Stopfen 1/4"RG - DIN 908 mit Dichtung
50	2	29591	Strip 140/135x15,0	Strip 140/135x15,0	Strip 140/135x15,0
60	2	29671	Strip 90/ 95X15,0	Guide ring 90/ 95X15,0	Führungsband 90/ 95X15,0
61	1	29671	Strip 90/ 95X15,0	Guide ring 90/ 95X15,0	Führungsband 90/ 95X15,0
70	2	29596	Dualseal 128,4/140x12,3-Z20	Dualseal 128,4/140x12,3-Z20	Dualseal 128,4/140x12,3-Z20
80	1	29511	Dualseal 116,6/125x8,6-Z20	Dualseal 116,6/125x8,6-Z20	Dualseal 116,6/125x8,6-Z20
90	1	29590	Seals PGS401400-M12T Stempelpakning	Seals PGS401400-M12T Pistonseal	Seals PGS401400-M12T Kolbendichtung
100	1	29597	Seals RSK300900-M12T	Seals RSK300900-M12T	Seals RSK300900-M12T
110	1	29592	Seals RGB300900-M12T	Seals RGB300900-M12T	Seals RGB300900-M12T
120	1	29593	Afstryger WE3200900-M12T	Wiper WE3200900-M12T	Abstreifer WE3200900-M12T



Apply grease(39109) to stuffing box inside and the outside seal groove before mounting seals and guide rings.

Use calibration cone(tapered mandrel) to fit the seals to rod diameter after mounting.

Secure bolts and washers with stretch film.

Pack in Cortec VCI bag and corrugated box.

Modification date 19.04.2018	Modification no. 500000002912	Replaces	Replaces date	Weight 8,74 kg																																								
Tolerance ISO 2768-mK		Title Repair kit Light Sparepart Sales 140/ 90 For 5074351, 5074352 (29080470)		Approved MB																																								
<table border="1" style="font-size: small;"> <thead> <tr> <th>Basic size range</th> <th>Tolerance</th> <th>Linear</th> <th>Angle</th> </tr> </thead> <tbody> <tr> <td>Over Up to</td> <td></td> <td></td> <td></td> </tr> <tr> <td>0,5 3</td> <td>± 0,1</td> <td>± 1'00"</td> <td></td> </tr> <tr> <td>3 6</td> <td>± 0,1</td> <td>± 1'00"</td> <td></td> </tr> <tr> <td>6 30</td> <td>± 0,2</td> <td>± 0'30"</td> <td></td> </tr> <tr> <td>30 120</td> <td>± 0,3</td> <td>± 0'20"</td> <td></td> </tr> <tr> <td>120 400</td> <td>± 0,5</td> <td>± 0'10"</td> <td></td> </tr> <tr> <td>400 1000</td> <td>± 0,8</td> <td>± 0'05"</td> <td></td> </tr> <tr> <td>1000 2000</td> <td>± 1,2</td> <td>± 0'05"</td> <td></td> </tr> <tr> <td>2000 4000</td> <td>± 2,0</td> <td>± 0'05"</td> <td></td> </tr> </tbody> </table>		Basic size range	Tolerance	Linear	Angle	Over Up to				0,5 3	± 0,1	± 1'00"		3 6	± 0,1	± 1'00"		6 30	± 0,2	± 0'30"		30 120	± 0,3	± 0'20"		120 400	± 0,5	± 0'10"		400 1000	± 0,8	± 0'05"		1000 2000	± 1,2	± 0'05"		2000 4000	± 2,0	± 0'05"		Date 23.04.18		Project no. 021-2115-3
Basic size range	Tolerance	Linear	Angle																																									
Over Up to																																												
0,5 3	± 0,1	± 1'00"																																										
3 6	± 0,1	± 1'00"																																										
6 30	± 0,2	± 0'30"																																										
30 120	± 0,3	± 0'20"																																										
120 400	± 0,5	± 0'10"																																										
400 1000	± 0,8	± 0'05"																																										
1000 2000	± 1,2	± 0'05"																																										
2000 4000	± 2,0	± 0'05"																																										
Lind Jensens Maskinfabrik A/S Kroghusvej 7, Højmark DK-6940 Lem St		Signature EJ		Material no. 5276108L																																								
		Date 23.04.18		Document no. 10000147850																																								
		Scale (1 : 4)	ISO E	Sheet 1 / 1																																								
		Format A3		Rev. 01																																								

This document and the information set forth herein are proprietary to LJM. The information is confidential and subject to copyright protection. The information is placed at the disposal of the receiver solely for personal use and only for manufacture, repair or use of original LJM products, according to contract or other written agreement hereon with LJM. The information must not, either wholly or partly, be copied, reproduced, published or in any other way made available to any third part without written consent from LJM. The information must not, either directly or in succession, be transferred or handed over to any third part to the rights of the receiver. Rev.:03