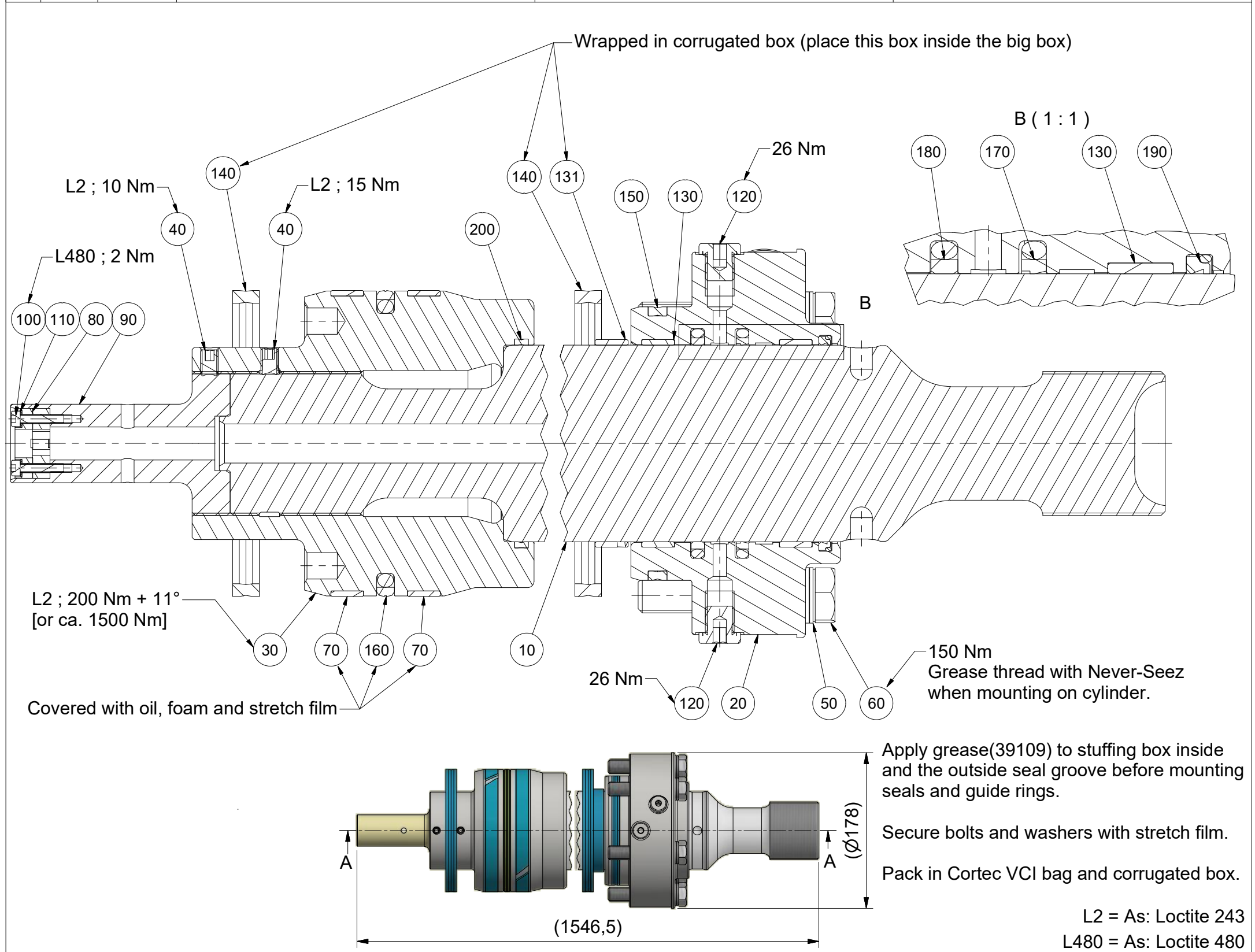


## Reservedelsliste - Spare Part List - Ersatzteilliste

Pos.	Stk. Pcs. Stück	Vare nr. Item. no. Warennr.	Beskrivelse	Description	Beschreibung
10	1	5530274	021-140/ 90x 922-G (3.1+CH)-(Induk.)	021-140/ 90x 922-G (3.1+CH)-(Induk.)	021-140/ 90x 922-G (3.1+CH)-(Induk.)
20	1	5276108	Pakningsholder 021-140/90-(TN/TV)(3.1+CH)	Stuffing box 021-140/ 90-(TN/TV) (3.1+CH)	Dichtungshalte 021-140/90-(TN/TV)(3.1+CH)
30	1	5251584	M-sko 00000-140-(TN/TV) (3.1+CH)	Piston 00000-140-(TN/TV) (3.1+CH)	Kolben 00000-140-(TN/TV) (3.1+CH)
40	2	27270	Stopskrue M 8x 12 DIN 916-45H	Stop screw M 8x 12 DIN 916-45H	Stopschraube M 8x 12 DIN 916-45H
50	6	27989	Låseskive M16- DIN 25201-limet-FZB/GUL	Lockwasher-M16-DIN 25201-glue-FZB/Yellow	Scheibe-M16- DIN 25201-kleben-FZB/Gelb
60	6	27308	Stålbolt M16x 80 - FZB	Steel Bolt M16x 80 - FZB	Schraube M16x 80 - FZB
70	2	29591	Strip 140/135x15,0	Strip 140/135x15,0	Strip 140/135x15,0
80	1	35076	BTL-P-1013-4R-SA9 Magnetskive	BTL-P-1013-4R Magnetic disc	BTL-P-1013-4R Magnetscheibe
90	1	5271890	Magnetholder ø 36x 82,5-POM	Magnet mounting ø 36x 82,5-POM	Magnethalter ø 36x 82,5-POM
100	2	26018	Syrefast Unbraco M 4x 20 - DIN 912	Acid proof allen screw M 4x 20 DIN 912	Säurefest Inbusschraube M 4x 20 DIN 912
110	2	26231	Syrefast c.fj. skive ø4 - DIN 128-A4	Acidproof washer ø4 DIN 128-A4	Säurefest Federring ø4 DIN 128-A4
120	4	34142	Blændprop 1/4"RG - DIN 908 m/pakning	Plug 1/4"RG-DIN 908 with gasket	Stopfen 1/4"RG - DIN 908 mit Dichtung
130	2	29671	Strip 90/ 95X15,0	Guide ring 90/ 95X15,0	Führungsband 90/ 95X15,0
131	1	29671	Strip 90/ 95X15,0	Guide ring 90/ 95X15,0	Führungsband 90/ 95X15,0
140	2	29596	Dualeal 128,4/140x12,3-Z20	Dualeal 128,4/140x12,3-Z20	Dualeal 128,4/140x12,3-Z20
150	1	29511	Dualeal 116,6/125x8,6-Z20	Dualeal 116,6/125x8,6-Z20	Dualeal 116,6/125x8,6-Z20
160	1	29590	Seals PGS401400-M12T Stempelpakning	Seals PGS401400-M12T Pistonseal	Seals PGS401400-M12T Kolbendichtung
170	1	29597	Seals RSK300900-M12T	Seals RSK300900-M12T	Seals RSK300900-M12T
180	1	29592	Seals RGB300900-M12T	Seals RGB300900-M12T	Seals RGB300900-M12T
190	1	29593	Afstryger WE3200900-M12T	Wiper WE3200900-M12T	Abstreifer WE3200900-M12T
200	1	29696	Dualeal 89,4/95x6,2-Z20	Dualeal 89,4/95x6,2-Z20	Dualeal 89,4/95x6,2-Z20



Modification date <b>19.04.2018</b>	Modification no. <b>500000002912</b>	Replaces	Replaces date	Weight <b>81,5 kg</b>																																								
Tolerance <b>ISO 2768-mK</b>	Title <b>Repair kit Heavy Sparepart Sales 140/ 90 For 5074352 (29081374)</b>		Approved <b>MB</b>	Project no. <b>021-2015-3</b>																																								
<table border="1" style="font-size: small;"> <thead> <tr> <th>Basic size range</th> <th>Tolerance</th> <th>Linear</th> <th>Angle</th> </tr> </thead> <tbody> <tr> <td>Over</td> <td>Up to</td> <td></td> <td></td> </tr> <tr> <td>0,5</td> <td>3</td> <td>± 0,1</td> <td>± 1'00"</td> </tr> <tr> <td>3</td> <td>6</td> <td>± 0,1</td> <td>± 1'00"</td> </tr> <tr> <td>6</td> <td>30</td> <td>± 0,2</td> <td>± 0'30"</td> </tr> <tr> <td>30</td> <td>120</td> <td>± 0,3</td> <td>± 0'20"</td> </tr> <tr> <td>120</td> <td>400</td> <td>± 0,5</td> <td>± 0'10"</td> </tr> <tr> <td>400</td> <td>1000</td> <td>± 0,8</td> <td>± 0'05"</td> </tr> <tr> <td>1000</td> <td>2000</td> <td>± 1,2</td> <td>± 0'05"</td> </tr> <tr> <td>2000</td> <td>4000</td> <td>± 2,0</td> <td>± 0'05"</td> </tr> </tbody> </table>	Basic size range	Tolerance	Linear	Angle	Over	Up to			0,5	3	± 0,1	± 1'00"	3	6	± 0,1	± 1'00"	6	30	± 0,2	± 0'30"	30	120	± 0,3	± 0'20"	120	400	± 0,5	± 0'10"	400	1000	± 0,8	± 0'05"	1000	2000	± 1,2	± 0'05"	2000	4000	± 2,0	± 0'05"			Date <b>23.04.18</b>	Material no. <b>5276108H</b>
Basic size range	Tolerance	Linear	Angle																																									
Over	Up to																																											
0,5	3	± 0,1	± 1'00"																																									
3	6	± 0,1	± 1'00"																																									
6	30	± 0,2	± 0'30"																																									
30	120	± 0,3	± 0'20"																																									
120	400	± 0,5	± 0'10"																																									
400	1000	± 0,8	± 0'05"																																									
1000	2000	± 1,2	± 0'05"																																									
2000	4000	± 2,0	± 0'05"																																									
		Lind Jensens Maskinfabrik A/S Krogshusvej 7, Højmark DK-6940 Lem St	Signature <b>EJ</b>	Document no. <b>10000147857</b>																																								
			Scale <b>(1 : 5)</b>	ISO E																																								
			Format <b>A3</b>	Sheet <b>1 / 1</b> Rev. <b>02</b>																																								

This document and the information set forth herein are proprietary to LJM. The information is confidential and subject to copyright protection. The information is placed at the disposal of the receiver solely for personal use and only for manufacture, repair or use of original LJM products, according to contract or other written agreement hereon with LJM. The information must not, either wholly or partly, be copied, reproduced, published or in any other way made available to any third part without written consent from LJM. The information must not, either directly or in succession, be transferred or handed over to any third part to the rights of the receiver. Rev.:03