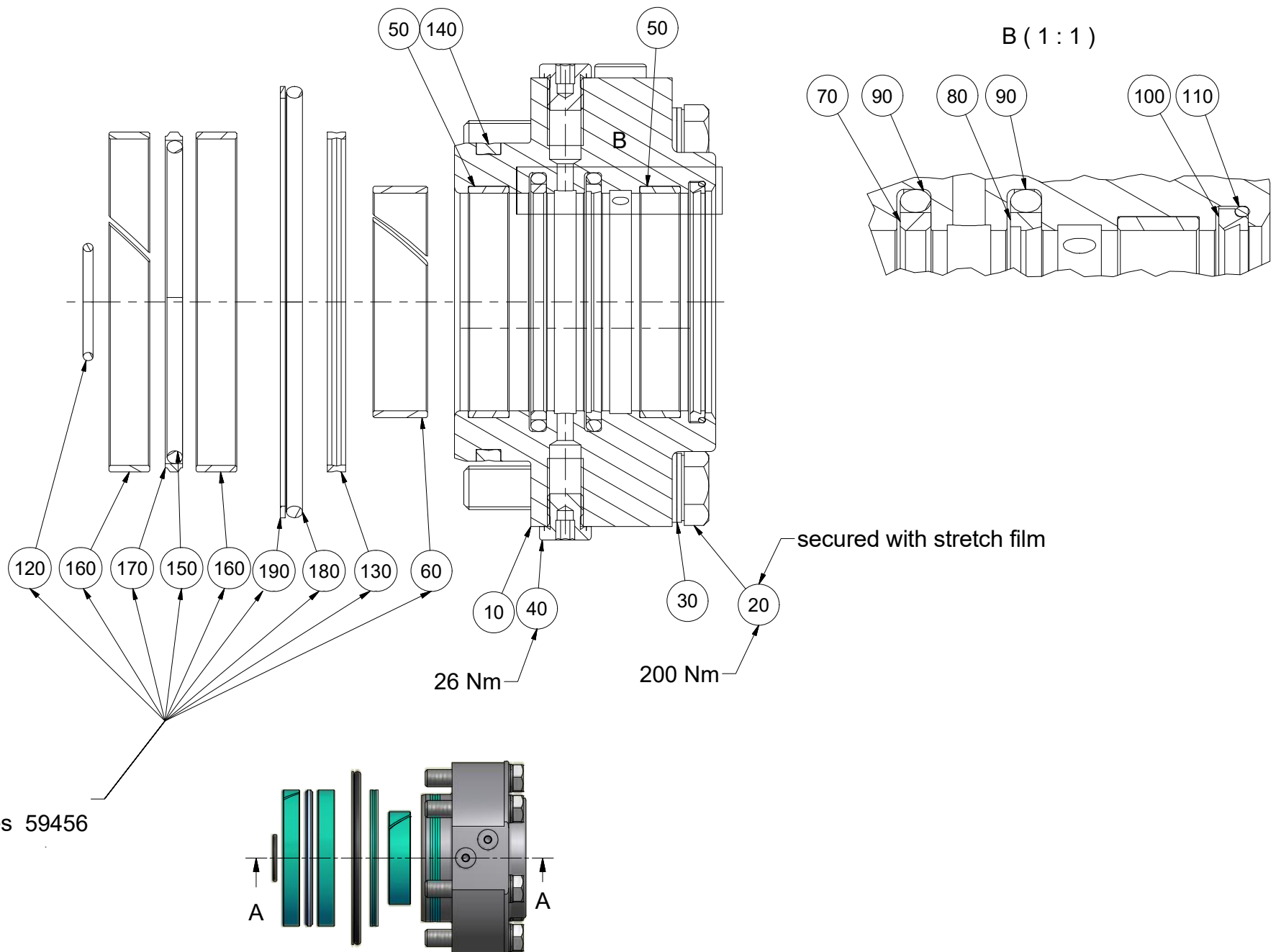
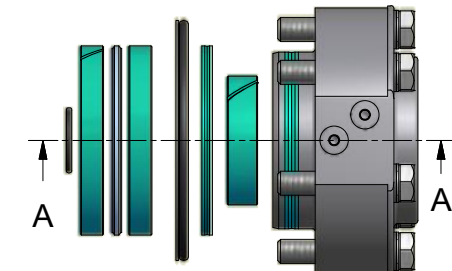


Reservedelsliste - Spare Part List - Ersatzteilliste

Pos.	Stk.	Vare nr.	Beskrivelse	Description	Beschreibung
	Pcs.	Item. no.			
	Stück	Warennr.			
10	1	5276097	Pakningsholder 021-125/80-(TN/TV)(3.1+c	Stuffing box 021-125/80-(TN/TV)(3.1+CH)	Dichtungshalter 021-125/80-(TN/TV)(3.1+C
20	6	27308	Stålbolt M16x 80 - FZB	Steel Bolt M16x 80 - FZB	Schraube M16x 80 - FZB
30	6	27989	Låseskive M16- DIN 25201-limet-FZB/GUL	Lockwasher-M16-DIN 25201-glu-FZB/Yel	Scheibe-M16- DIN 25201-kleben-FZB/Gell
40	4	34142	Blændprop 1/4"RG - DIN 908 m/pakning	Plug 1/4"RG-DIN 908 with gasket	Stopfen 1/4"RG - DIN 908 mit Dichtung
50	2	29292	Strip 80/ 85X15,0	Guide ring 80/ 85X15,0	Führungsband 80/ 85X15,0
60	1	29293	STRIP 80/ 85X20,0	Guide ring 80/ 85X20,0	STRIP 80/ 85X20,0
70	1	29602	Seals RGB300800-M12	Seals RGB300800-M12	Seals RGB300800-M12
80	1	29603	Seals RSK300800-M12	Seals RSK300800-M12	Seals RSK300800-M12
90	2	31796	O-ring 5,33X85,09 70 Shore	O-ring 5,33X85,09 70 Shore	O-ring 5,33X85,09 70 Shore
100	1	29604	Afstryger WE3200800-M12	Wiper WE3200800-M12	Abstreifer WE3200800-M12
110	1	31797	O-ring 3,53x 82,14 70 Shore	O-ring 3,53x 82,14 70 Shore	O-ring 3,53x 82,14 70 Shore
120	1	31605	O-ring 3,53X 37,70 90SHORE	O-ring 3,53X 37,70 90SHORE	O-ring 3,53X 37,70 90SHORE
130	1	29530	Dualseal 119,80/125x6,8-Z20	Dualseal 119,80/125x6,8-Z20	Dualseal 119,80/125x6,8-Z20
140	1	29535	Dualseal 108,4/117x9,0-Z20	Dualseal 108,4/117x9,0-Z20	Dualseal 108,4/117x9,0-Z20
150	1	31795	O-RING 5,33X107,32 70 SHORE	O-RING 5,33X107,32 70 SHORE	O-RING 5,33X107,32 70 SHORE
160	2	29291	STRIP 125/120X15,0	Guide ring 125/120X15,0	STRIP 125/120X15,0
170	1	29601	Seals PGB301250-M12 Stempelpakning	Seals PGB301250-M12	Seals PGB301250-M12
180	1	31784	O-ring 5,33x151,77 70 Shore	O-ring 5,33x151,77 70 Shore	O-ring 5,33x151,77 70 Shore
190	1	31288	Back up-ring 5,33x151,77	Support ring 5,33x151,77	Stützring 5,33x151,77



Wrapped in
Corrugated boxes 59456



Modification date 08.06.2017		Modification no. 500000002647		Replaces	Replaces date	Weight 9,29 kg																																				
Tolerance ISO 2768-mK		Title Rep.sæt Light for Reservedelsalg 5066654/5066665/5066688/5067078/5067089		Approved KKF	Project no. 021-4004-9																																					
<table border="1" style="font-size: small;"> <thead> <tr> <th>Basic size range</th> <th>Tolerance</th> <th>Linear</th> <th>Angle</th> </tr> </thead> <tbody> <tr> <td>Over 0,5</td> <td>Up to 3</td> <td>± 0,1</td> <td>± 1'00"</td> </tr> <tr> <td>3</td> <td>6</td> <td>± 0,1</td> <td>± 1'00"</td> </tr> <tr> <td>6</td> <td>30</td> <td>± 0,2</td> <td>± 0'30"</td> </tr> <tr> <td>30</td> <td>120</td> <td>± 0,3</td> <td>± 0'20"</td> </tr> <tr> <td>120</td> <td>400</td> <td>± 0,5</td> <td>± 0'10"</td> </tr> <tr> <td>400</td> <td>1000</td> <td>± 0,8</td> <td>± 0'05"</td> </tr> <tr> <td>1000</td> <td>2000</td> <td>± 1,2</td> <td>± 0'05"</td> </tr> <tr> <td>2000</td> <td>4000</td> <td>± 2,0</td> <td>± 0'05"</td> </tr> </tbody> </table>		Basic size range	Tolerance	Linear	Angle	Over 0,5	Up to 3	± 0,1	± 1'00"	3	6	± 0,1	± 1'00"	6	30	± 0,2	± 0'30"	30	120	± 0,3	± 0'20"	120	400	± 0,5	± 0'10"	400	1000	± 0,8	± 0'05"	1000	2000	± 1,2	± 0'05"	2000	4000	± 2,0	± 0'05"			Signature EJ	Material no. 5276097L	
Basic size range	Tolerance	Linear	Angle																																							
Over 0,5	Up to 3	± 0,1	± 1'00"																																							
3	6	± 0,1	± 1'00"																																							
6	30	± 0,2	± 0'30"																																							
30	120	± 0,3	± 0'20"																																							
120	400	± 0,5	± 0'10"																																							
400	1000	± 0,8	± 0'05"																																							
1000	2000	± 1,2	± 0'05"																																							
2000	4000	± 2,0	± 0'05"																																							
		Lind Jensens Maskinfabrik A/S Krogshusvej 7, Højmark DK-6940 Lem St		Date 09.06.17	Document no. 10000147550																																					
				Scale (1 : 5)	Sheet 1 / 1 Rev. 02																																					
				ISO E																																						
				Format A3																																						

This document and the information set forth herein are proprietary to LJM. The information is confidential and subject to copyright protection. The information is placed at the disposal of the receiver solely for personal use and only for manufacture, repair or use of original LJM products, according to contract or other written agreement hereon with LJM. The Information must not, either wholly or partly, be copied, reproduced, published or in any other way made available to any third part without written consent from LJM. The information must not, either directly or in succession, be transferred or handed over to any third part to the rights of the receiver. Rev.:03