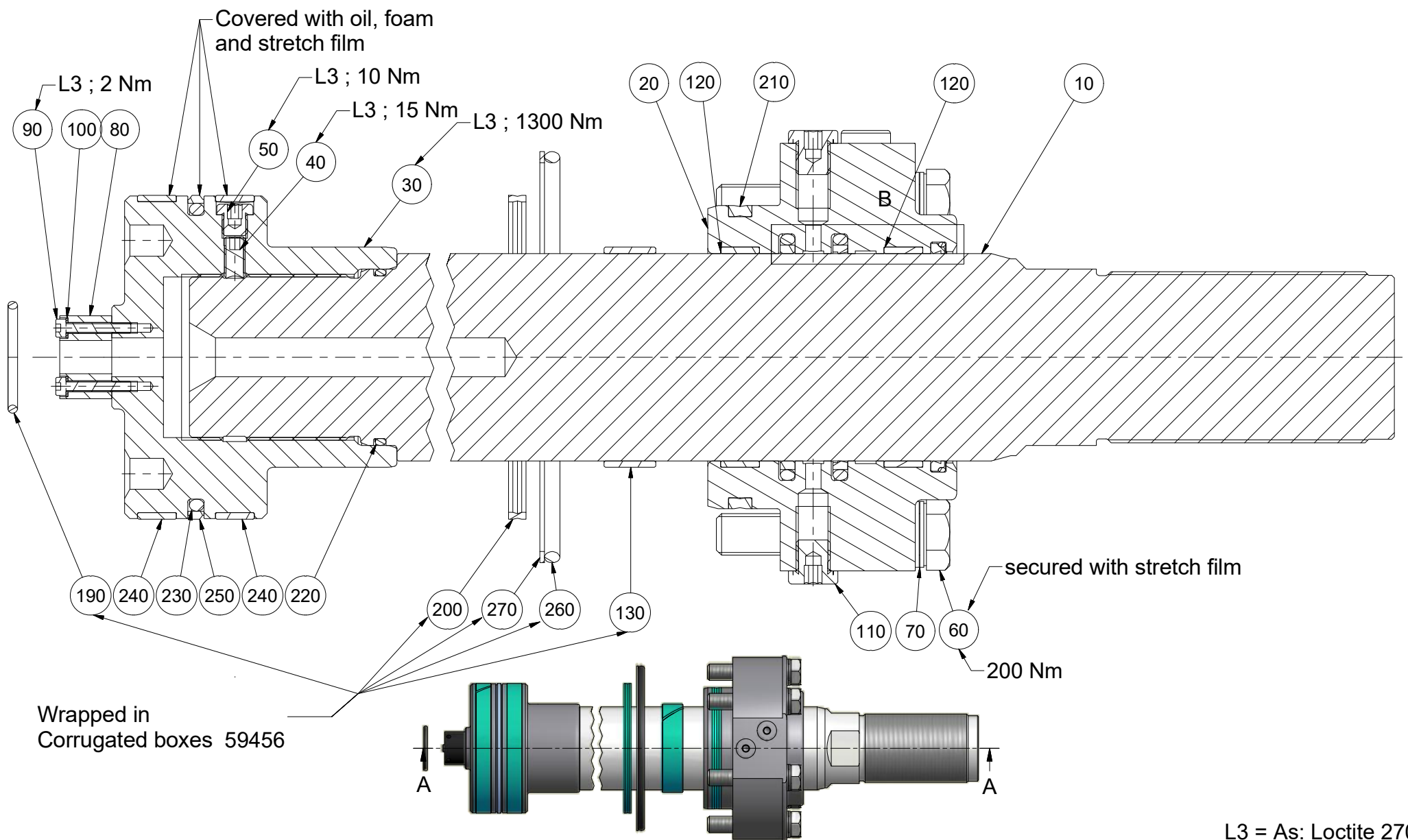
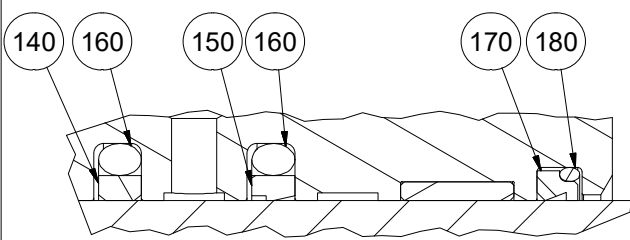


Reservedelsliste - Spare Part List - Ersatzteilliste

Pos.	Stk.	Vare nr.	Beskrivelse	Description	Beschreibung
	Pcs.	Item. no.			
	Stück	Warennr.			
10	1	5520424	SNH30-125/80x760-G-(3,1+CH)	SNH30-125/80x760-G-(3,1+CH)	SNH30-125/80x760-G-(3,1+CH)
20	1	5276097	Pakningsholder 021-125/80-(TN/TV)(3.1+c	Stuffing box 021-125/80-(TN/TV)(3.1+CH)	Dichtungshalter 021-125/80-(TN/TV)(3.1+c
30	1	5250988	M-sko 00000-125-"T"-(TN/TV)	Piston 00000-125-"T"-(TN/TV) (3.1+CH)	Kolben 00000-125-"T"-(TN/TV)
40	1	27129	Stopskrue M 8x 16 DIN 916-45H	Stop screw M 8x 16 DIN 916-45H	Stopschraube M 8x 16 DIN 916-45H
50	1	34138	Blændprop 1/8"RG - DIN 908 m/pakning	Plug 1/8"RG - DIN 908 with gasket	Stopfen 1/8"RG - DIN 908 mit Dichtung
60	6	27308	Stålbolt M16x 80 - FZB	Steel Bolt M16x 80 - FZB	Schraube M16x 80 - FZB
70	6	27989	Låseskive M16- DIN 25201-limet-FZB/GUL	Lockwasher-M16-DIN 25201-glue-FZB/Yel	Scheibe-M16- DIN 25201-kleben-FZB/Gell
80	1	35704	BTL-P-2013-4R-SA14, BAM01ZP- Magnete	BTL-P-2013-4R-SA14,BAM01ZP-Magneti	BTL-P-2013-4R-SA14, BAM01ZP- Magnete
90	2	26043	Syrefast unbraco M 4X 25 DIN 912-A4	Acid proof Allen screw M4X25 DIN 912-A4	Säurebestandig Inbusschraube M4X25
100	2	26231	Syrefast c.fj. skive ø4 - DIN 128-A4	Acidproof washer ø4 DIN 128-A4	Säurefest Federring ø4 DIN 128-A4
110	4	34142	Blændprop 1/4"RG - DIN 908 m/pakning	Plug 1/4"RG-DIN 908 with gasket	Stopfen 1/4"RG - DIN 908 mit Dichtung
120	2	29292	Strip 80/ 85X15,0	Guide ring 80/ 85X15,0	Führungsband 80/ 85X15,0
130	1	29293	STRIP 80/ 85X20,0	Guide ring 80/ 85X20,0	STRIP 80/ 85X20,0
140	1	29602	Seals RGB300800-M12	Seals RGB300800-M12	Seals RGB300800-M12
150	1	29603	Seals RSK300800-M12	Seals RSK300800-M12	Seals RSK300800-M12
160	2	31796	O-ring 5,33X85,09 70 Shore	O-ring 5,33X85,09 70 Shore	O-ring 5,33X85,09 70 Shore
170	1	29604	Afstryger WE3200800-M12	Wiper WE3200800-M12	Abstreifer WE3200800-M12
180	1	31797	O-ring 3,53x 82,14 70 Shore	O-ring 3,53x 82,14 70 Shore	O-ring 3,53x 82,14 70 Shore
190	1	31605	O-ring 3,53X 37,70 90SHORE	O-ring 3,53X 37,70 90SHORE	O-ring 3,53X 37,70 90SHORE
200	1	29530	Dualseal 119,80/125x6,8-Z20	Dualseal 119,80/125x6,8-Z20	Dualseal 119,80/125x6,8-Z20
210	1	29535	Dualseal 108,4/117x9,0-Z20	Dualseal 108,4/117x9,0-Z20	Dualseal 108,4/117x9,0-Z20
220	1	31594	O-ring 3,53x 59,92 70 Shore	O-ring 3,53x 59,92 70 Shore	O-ring 3,53x 59,92 70 Shore
230	1	31795	O-RING 5,33X107,32 70 SHORE	O-RING 5,33X107,32 70 SHORE	O-RING 5,33X107,32 70 SHORE
240	2	29291	STRIP 125/120X15,0	Guide ring 125/120X15,0	STRIP 125/120X15,0
250	1	29601	Seals PGB301250-M12 Stempelpakning	Seals PGB301250-M12	Seals PGB301250-M12
260	1	31784	O-ring 5,33x151,77 70 Shore	O-ring 5,33x151,77 70 Shore	O-ring 5,33x151,77 70 Shore
270	1	31288	Back up-ring 5,33x151,77	Support ring 5,33x151,77	Stützring 5,33x151,77



L3 = As: Loctite 270



Modification date 08.06.2017	Modification no. 500000002647	Replaces	Replaces date	Weight 56,8 kg
Tolerance ISO 2768-mK		Title Rep.sæt Heavy for Reservedelsalg 5067078/5067089		Approved KKF
Basic size range		Lind Jensens Maskinfabrik A/S Kroghusvej 7, Højmark DK-6940 Lem St		Date 09.06.17
Over	Up to	Linear	Angle	Signature EJ
0,5	3	± 0,1	± 1'00"	Date 09.06.17
3	6	± 0,1	± 1'00"	Scale (1 : 5)
6	30	± 0,2	± 0'30"	ISO E
30	120	± 0,3	± 0'20"	Format A3
120	400	± 0,5	± 0'10"	Document no. 10000147555
400	1000	± 0,8	± 0'05"	Sheet 1 / 1
1000	2000	± 1,2	± 0'05"	Rev. 02
2000	4000	± 2,0	± 0'05"	

This document and the information set forth herein are proprietary to LJM. The information is confidential and subject to copyright protection. The information is placed at the disposal of the receiver solely for personal use and only for manufacture, repair or use of original LJM products, according to contract or other written agreement hereon with LJM. The information must not, either wholly or partly, be copied, reproduced, published or in any other way made available to any third party without written consent from LJM. The information must not, either directly or in succession, be transferred or handed over to any third party to the rights of the receiver. Rev.:03