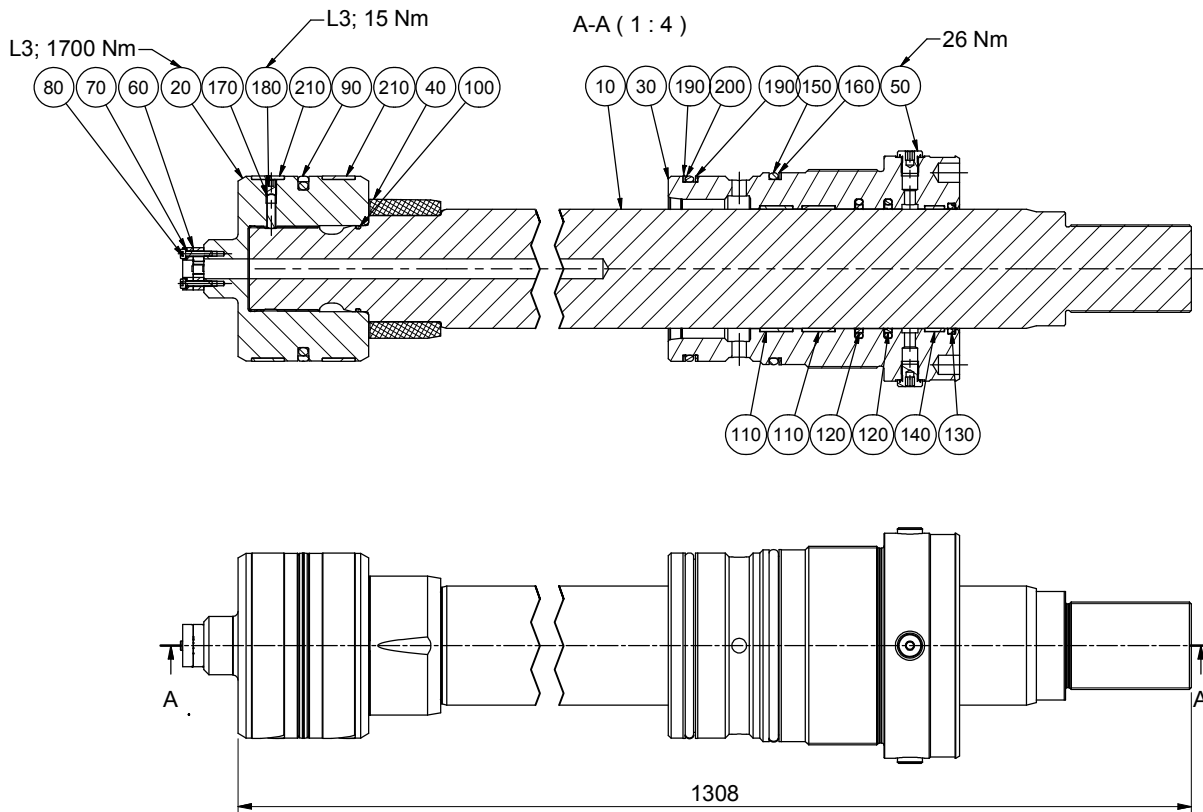


## Reservedelsliste - Spare Part List - Ersatzteilliste

Pos.	Stk. Pcs. Stück	Vare nr. Item. no. Warennr.	Beskrivelse	Description	Beschreibung
10	1	5530381	SNH75-140/ 90x 760-G (3.1+CH)	SNH75-140/ 90x 760-G (3.1+CH)	SNH75-140/ 90x 760-G (3.1+CH)
20	1	5251843	M-sko 00000-140 (3.1+CH)	Piston 00000-140 (3.1+CH)	Kolben 00000-140 (3.1+CH)
30	1	5203156	Overdel 00000-140/90-"T"- (TN/TV)(3.1+CH)	Gland 00000-140/90-"T"- (TN/TV)(3.1+CH)	Dichtungsbuchse 00000-140/90-"T"- (TN/T
40	1	5214128	Dæmpningsdorn 00000-140-"T"-BR	Damping mandael 00000-140-"T"-BR	Dämpfungsdorn 00000-140-"T"-BR
50	4	34142	Blændprop 1/4"RG	Plug 1/4"RG	Stopfen 1/4"RG
60	1	35076	Magnetskive	Magnetic disc	Magnetscheibe
70	2	26231	Syrefast c.fj. skive ø4	Acidproof washer ø4	Säurefest Federring ø4
80	2	26018	Syrefast Unbraco M 4x 20	Acid proof allen screw M 4x 20	Säurefest Inbusschraube M 4x 20
90	1	29590	Stempelpakning 140,0x119x8,1	Piston seal 140,0x119x8,1	Kolbendichtung 140,0x119x8,1
100	1	31342	O-ring 3,0x 59,5	O-ring 3,0x 59,5	O-ring 3,0x 59,5
110	0,57	29494	Strip Heavy Duty-90x95x25	Guide ring Heavy Duty-90x95x25	Führungsband Heavy Duty-90x95x25
120	2	29597	Stangtætning 90,0x105,1x6,3	Rod seal 90,0x105,1x6,3	Stangendichtung 90,0x105,1x6,3
130	1	29593	Afstryger 90,0x98,8x6,0	Wiper 90,0x98,8x6,0	Abstreifer 90,0x98,8x6,0
140	1	29671	Strip Heavy Duty 90,0x95,0x15,0	Guide ring Heavy Duty 90,0x95,0x15,0	Führungsband Heavy Duty 90,0x95,0x15,0
150	1	31782	O-Ring 5,7x134,2	O-Ring 5,7x134,2	O-Ring 5,7x134,2
160	1	31875	Back up-ring 5,7X134,2	Support ring 5,7X134,2	Stützring 5,7X134,2
170	1	56865	Cylindrisk stift ø 6x 24	Cylindrical pin ø 6x 24	Zylinderstifte ø 6x 24
180	1	27270	Stopskrue M 8x 12	Stop screw M 8x 12	Stopschraube M 8x 12
190	2	31995	Back up-ring 5,7X129,2	Support ring 5,7X129,2	Stützring 5,7X129,2
200	1	31445	O-ring 5,7x129,2	O-ring 5,7x129,2	O-ring 5,7x129,2
210	0,848	29494	Strip Heavy Duty-140,0x135,0x25,0	Guide ring Heavy Duty-140,0x135,0x25,0	Führungsband Heavy Duty-140,0x135,0x25,0

Lubricate all seals well with oil.



L3 = As: Loctite 270

Modification date	Modification no.	Replaces	Replaces date	Weight <b>86,8 kg</b>																														
Tolerance ISO 2768-mK		Title <b>Rep sæt Heavy Reservedelssalg 140/90 Fluitechnik 140/90-760</b>		Approved Date 03.11.20 Signature MB Date 03.11.20 Scale (1 : 4) ISO E Format A3																														
<table border="1" style="font-size: small;"> <thead> <tr> <th>Basic size</th> <th>range</th> <th>Tolerance</th> </tr> <tr> <th>Over</th> <th>Up to</th> <th>Linear</th> </tr> </thead> <tbody> <tr><td>0,5</td><td>3</td><td>± 0,1</td></tr> <tr><td>3</td><td>6</td><td>± 0,1</td></tr> <tr><td>6</td><td>30</td><td>± 0,2</td></tr> <tr><td>30</td><td>120</td><td>± 0,3</td></tr> <tr><td>120</td><td>400</td><td>± 0,5</td></tr> <tr><td>400</td><td>1000</td><td>± 0,8</td></tr> <tr><td>1000</td><td>2000</td><td>± 1,2</td></tr> <tr><td>2000</td><td>4000</td><td>± 2,0</td></tr> </tbody> </table>		Basic size	range	Tolerance	Over	Up to	Linear	0,5	3	± 0,1	3	6	± 0,1	6	30	± 0,2	30	120	± 0,3	120	400	± 0,5	400	1000	± 0,8	1000	2000	± 1,2	2000	4000	± 2,0	Lind Jensens Maskinfabrik A/S Kroghusvej 7, Højmark DK-6940 Lem St		Project no. <b>1717-4420-62</b> Material no. <b>5272399H</b> Document no. <b>10000237279</b> Sheet 1 / 1 Rev. 00
Basic size	range	Tolerance																																
Over	Up to	Linear																																
0,5	3	± 0,1																																
3	6	± 0,1																																
6	30	± 0,2																																
30	120	± 0,3																																
120	400	± 0,5																																
400	1000	± 0,8																																
1000	2000	± 1,2																																
2000	4000	± 2,0																																

This document and the information set forth herein are proprietary to LJM. The information is confidential and subject to copyright protection. The information is placed at the disposal of the receiver solely for personal use and only for manufacture, repair or use of original LJM products, according to contract or other written agreement hereon with LJM. The information must not, either wholly or partly, be copied, reproduced, published or in any other way made available to any third part without written consent from LJM. The information must not, either directly or in succession, be transferred or handed over to any third part to the rights of the receiver. Rev.:03