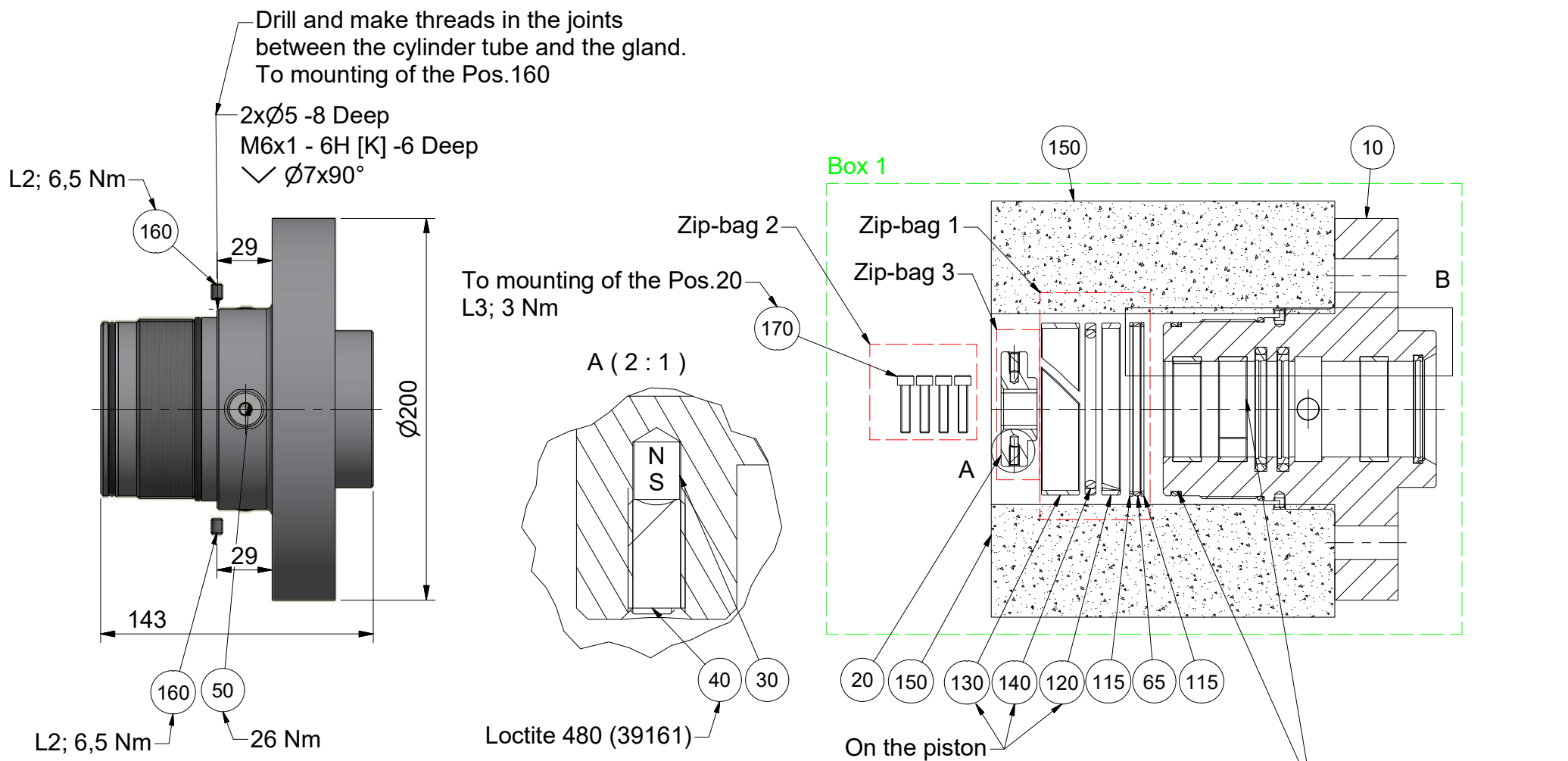


## Reservedelsliste - Spare Part List - Ersatzteilliste

| Pos. | Stk.<br>Pcs.<br>Stück | Vare nr.<br>Item. no.<br>Warennr. | Beskrivelse                            | Description                              | Beschreibung                             |
|------|-----------------------|-----------------------------------|--|--|--|
| 10   | 1                     | 5201260                           | Overdel 00000- 90/ 50-(TN/TV)          | Gland 00000- 90/ 50-(TN/TV)              | Dichtungsbuchse 00000- 90/ 50-(TN/TV)    |
| 20   | 1                     | 5270848                           | Magnetholder Ø 60/33X19/ 5             | Magnet mounting Ø 60/33X19/ 5            | Magnethalter Ø 60/33X19/ 5               |
| 30   | 4                     | 35351                             | Magnet 4,0X5,0 for Vestas cyl.         | Magnet 4,0X5,0 for Vestas cyl.           | Magnet 4,0X5,0 für Vestas zyl.           |
| 40   | 4                     | 59261                             | Plast stopskruer M5X10                 | Plastic Stop screw M5X10                 | Plastik Stopsschraube M5X10              |
| 50   | 3                     | 34142                             | Blændprop 1/4"RG - DIN 908 m/pakning   | Plug 1/4"RG-DIN 908 with gasket          | Stopfen 1/4"RG - DIN 908 mit Dichtung    |
| 60   | 1                     | 31353                             | O-ring 3,0x 84,5                       | O-ring 3,0x 84,5                         | O-ring 3,0x 84,5                         |
| 65   | 1                     | 31353                             | O-ring 3,0x 84,5                       | O-ring 3,0x 84,5                         | O-ring 3,0x 84,5                         |
| 70   | 3                     | 29278                             | Strip Heavy Duty- 50x 55x15            | Guide ring Heavy Duty- 50x 55x15         | Führungsband Heavy Duty- 50x 55x15       |
| 80   | 2                     | 33465                             | Seals PO55-171-0500                    | Seals PO55-171-0500                      | Seals PO55-171-0500                      |
| 90   | 1                     | 33939                             | Afstryger PO55-591-0500                | Wiper PO55-591-0500                      | Abstreifer PO55-591-0500                 |
| 100  | 1                     | 31356                             | O-ring 3,0x 89,5                       | O-ring 3,0x 89,5                         | O-ring 3,0x 89,5                         |
| 110  | 1                     | 31808                             | BACK UP-RING 3,0X 84,5                 | Support ring 3,0X 84,5                   | Stützring 3,0X 84,5                      |
| 115  | 2                     | 31808                             | BACK UP-RING 3,0X 84,5                 | Support ring 3,0X 84,5                   | Stützring 3,0X 84,5                      |
| 120  | 0,27                  | 33632                             | Strip -Let drift 2,5x 9,7mm            | Guide ring -Light duty 2,5x 9,7mm        | Führungsband -Leicht betrieb 2,5x 9,7mm  |
| 130  | 0,27                  | 33634                             | Strip -Let drift 2,5x20,0mm            | Guide ring -Light duty 2,5x20,0mm        | Führungsband -Leicht betrieb 2,5x20,0mm  |
| 140  | 1                     | 29084                             | SEALS PGS300900-T49N STEMPELPK         | SEALS PGS300900-T49N PISTON WASHER       | SEALS PGS300900-T49N KOLBENRING          |
| 150  | 2                     | 59475                             | Flamingoklods halvdel 228x109x180, R50 | Exp polystyrene 228x218x180,Ø100, 2-part | Exp polystyrene 228x218x180,Ø100, 2-part |
| 160  | 2                     | 27127                             | Stopskruer M 6x 8 DIN 916-45H          | Stop screw M6x 8 DIN 916-45H             | Stopsschraube M 6x 8 DIN 916-45H         |
| 170  | 4                     | 26084                             | Syrefast unbraco M 5x 25 - DIN 912     | Acidproof allen screw M 5x 25 DIN 912-A4 | Säurefest Inbussschraube M 5x 25 DIN 912 |



**Packaging guide:**

1. Pack the Zip-bag 1:

- Pos. 65
- Pos. 115
- Pos. 120<->140

2. Pack Pos. 160+170 in the Zip-bag 2

3. Mount the seals Pos. 60 <-> 110 and the plug Pos. 50 at the gland Pos. 10

4. Mount the Pos. 30+40 in Pos. 20. Pay attention to the magnet N and S

5. Pack Pos. 20 in the Zip-bag 3

6. Put Pos. 10 in Cortec bag and place it flange down in box 1  
Place Pos. 150 around Pos. 10  
Place zip bags in free hole in Pos. 150  
Close box with plenty of tape

L2: As Loctite 243 (39093)  
L3: As Loctite 270 (39200)

|                   |                  |  |               |              |
|-------------------|------------------|--|---------------|--------------|
| Modification date | Modification no. | Replaces   | Replaces date | Weight       |
|                   |                  |  |               | 11,4 kg      |
| Tolerance         |                  | Title  |               | Approved     |
| ISO 2768-mK       |                  | Rep sæt Light Reservedelssalg 90/50<br>For 5050090 (108591)              |               | EJ           |
| Basic size range  |                  |  |               | Date         |
| Over              | Up to            | Linear   | Angle         | 29.04.20     |
| 0,5               | 3                | ± 0,1  | ± 1'00"       | Signature    |
| 3                 | 6                | ± 0,1  | ± 1'00"       | KKF          |
| 6                 | 30               | ± 0,2  | ± 0'30"       | Date         |
| 30                | 120              | ± 0,3  | ± 0'20"       | 29.04.20     |
| 120               | 400              | ± 0,5  | ± 0'10"       | Scale        |
| 400               | 1000             | ± 0,8  | ± 0'05"       | (1 : 3)      |
| 1000              | 2000             | ± 1,2  | ± 0'05"       | ISO E        |
| 2000              | 4000             | ± 2,0  | ± 0'05"       | ☐ ☉          |
|                   |                  |  |               | Material no. |
|                   |                  | Lind Jensens Maskinfabrik A/S<br>Kroghusvej 7, Højmark<br>DK-6940 Lem St |               | 5272286L     |
|                   |                  |  |               | Document no. |
|                   |                  |  |               | 10000227163  |
|                   |                  |  |               | Format       |
|                   |                  |  |               | A3           |
|                   |                  |  |               | Sheet        |
|                   |                  |  |               | 1 / 1        |
|                   |                  |  |               | Rev.         |
|                   |                  |  |               | 00           |

This document and the information set forth herein are proprietary to LJM. The information is confidential and subject to copyright protection. The information is placed at the disposal of the receiver solely for personal use and only for manufacture, repair or use of original LJM products, according to contract or other written agreement hereon with LJM. The information must not, either wholly or partly, be copied, reproduced, published or in any other way made available to any third part without written consent from LJM. The information must not, either directly or in succession, be transferred or handed over to any third part to the rights of the receiver. Rev.:03