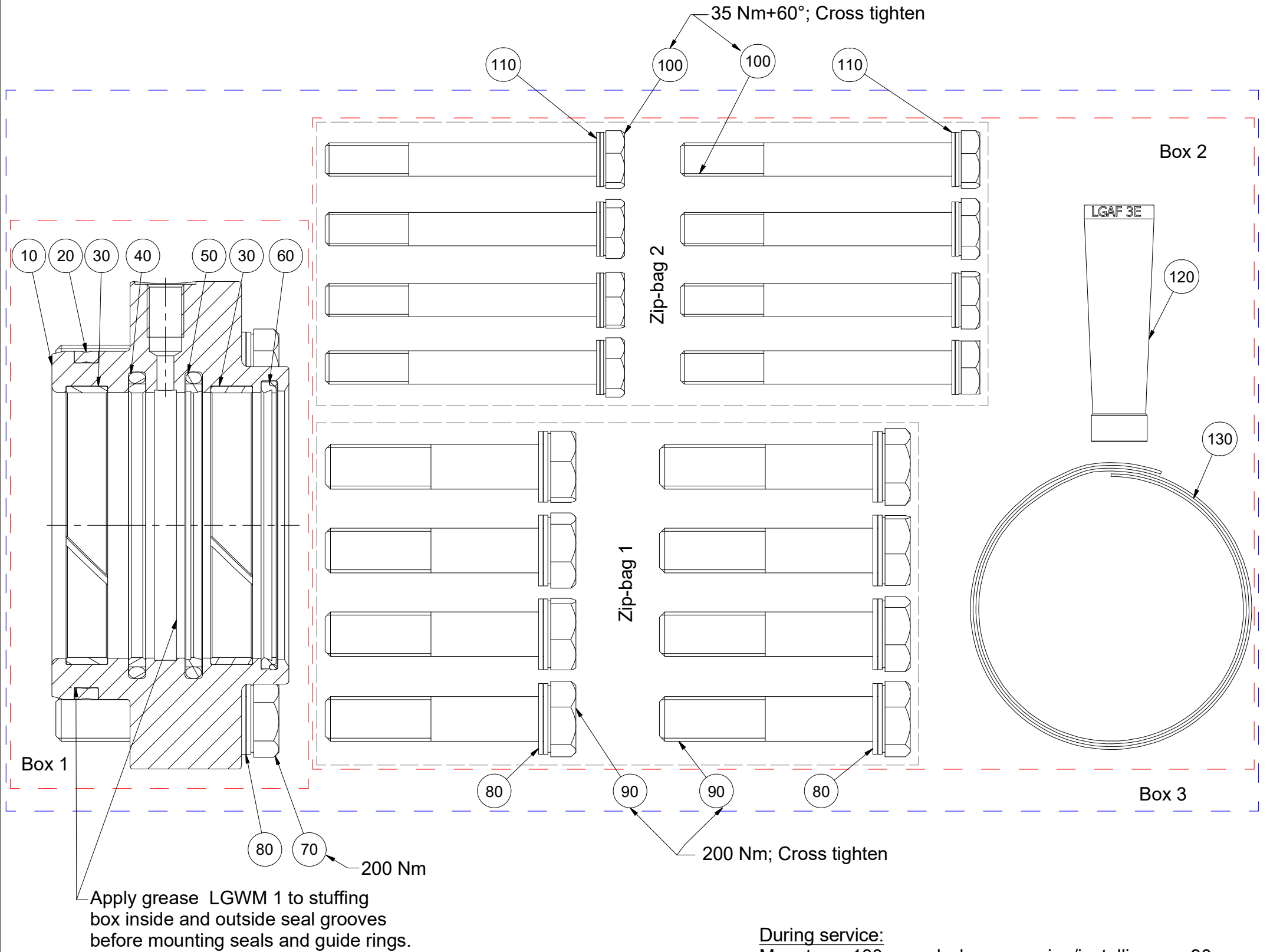


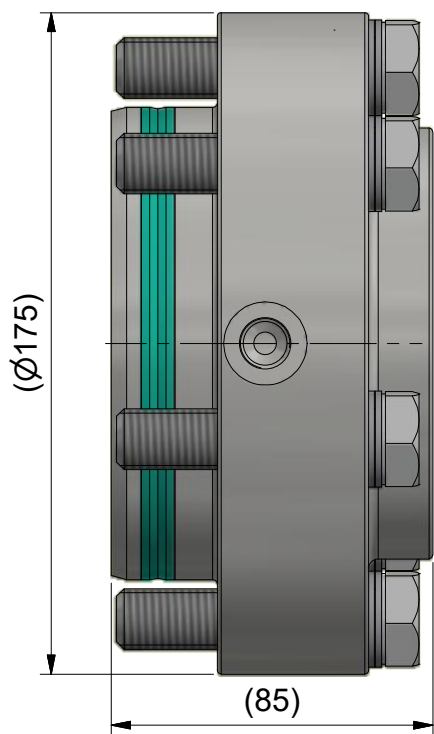
Reservedelsliste - Spare Part List - Ersatzteilliste

Pos.	Stk. Pcs. Stück	Vare nr. Item. no. Warennr.	Beskrivelse	Description	Beschreibung
10	1	5276125	Pakningsholder 021-160/95 (3.1+CH)	Stuffing box 021-160/95 (3.1+CH)	Dichtungshalter 021-160/95 (3.1+CH)
20	1	29511	Dualeal 116,6/125x8,6-Z20	Dualeal 116,6/125x8,6-Z20	Dualeal 116,6/125x8,6-Z20
30	2	29853	Strip 95/100x15,0	Guide ring 95/100x15,0	Führungsband 95/100x15,0
40	1	29855	Seals RGB300950-M12T	Seals RGB300950-M12T	Seals RGB300950-M12T
50	1	29854	Seals RSK300950-M12T	Seals RSK300950-M12T	Seals RSK300950-M12T
60	1	29856	Afstryger WE3200950-M12T	Wiper WE3200950-M12T	Abstreifer WE3200950-M12T
70	6	27375	Stålbolt M16x 70 - flZn(Geomet)	Steel bolt M16x 70 - flZn(Geomet)	Bolzen M16x 70 - flZn(Geomet)
80	14	27989	Låseskive M16- DIN 25201-limet-FZB/GUL	Lockwasher-M16-DIN 25201-gluue-FZB/Yellow	Scheibe-M16- DIN 25201-kleben-FZB/Gelb
90	8	27373	Stålbolt M16x 80 - flZn(Geomet)	Steel bolt M16x 80 - flZn(Geomet)	Bolzen M16x 80 - flZn(Geomet)
100	8	27374	Stålbolt M12x1,5x100 DIN960-10.9- flZn	Steel bolt M12x1,5x100 DIN960-10.9- flZn	Bolzen M12x1,5x100 DIN960-10.9- flZn
110	8	27904	Låseskive M12- DIN 25201-limet-FZB/GUL	Lockwasher-M12-DIN 25201-gluue-FZB/Yellow	Scheibe-M12- DIN 25201-kleben-FZB/Gelb
120	1	39221	Fedt - LGAF 3E/0,035 antifret pasta tube	Grease -LGAF 3E/0,035 antifretting paste	Fett - LGAF 3E/0,035 antifretting paste
130	1	45202	Stangbeskyttelsesafdækning - Vestas-V174	Rod protection cover - Vestas - V174	Stangenschutzhülle - Vestas - V174



Packaging guide:

- Pos.10-80
Secure bolts and washers with stretch film.
Pack in Cortec VCI bag and corrugated Box 1.
- Pack Pos.80-90 into Zip-bag 1
- Pack Pos.100-110 into Zip-bag 2
- Pack both Zip bags, pos.120-130 into corrugated Box 2.
- All placed in one corrugated Box 3.



Modification date	Modification no.	Replaces	Replaces date	Weight
				8,81 kg
Tolerance		Title		Approved
ISO 2768-mK		Stuffing box with seals Ø95 For 5082467 (300024225)		EJ
Basic size range				Date
Over	Up to	Linear	Angle	10.10.19
0,5	3	± 0,1	± 1'00"	Signature
3	6	± 0,1	± 1'00"	OK
6	30	± 0,2	± 0'30"	Date
30	120	± 0,3	± 0'20"	10.10.19
120	400	± 0,5	± 0'10"	Scale
400	1000	± 0,8	± 0'05"	(1 : 3)
1000	2000	± 1,2	± 0'05"	ISO E
2000	4000	± 2,0	± 0'05"	☐ ⊙
				Document no.
		Lind Jensens Maskinfabrik A/S Kroghusvej 7, Højmark DK-6940 Lem St		10000217057
				Format
				A3
				Sheet
				1 / 1
				Rev.
				00

This document and the information set forth herein are proprietary to LJM. The information is confidential and subject to copyright protection. The information is placed at the disposal of the receiver solely for personal use and only for manufacture, repair or use of original LJM products, according to contract or other written agreement hereon with LJM. The information must not, either wholly or partly, be copied, reproduced, published or in any other way made available to any third part without written consent from LJM. The information must not, either directly or in succession, be transferred or handed over to any third part to the rights of the receiver. Rev.:03