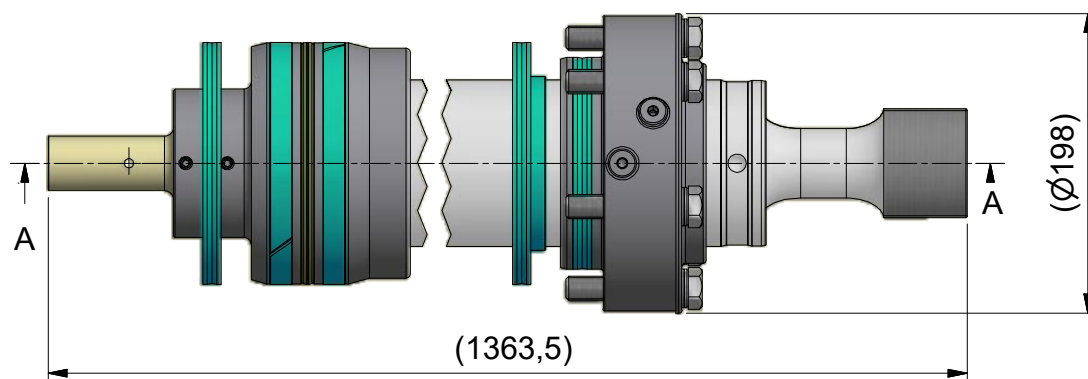
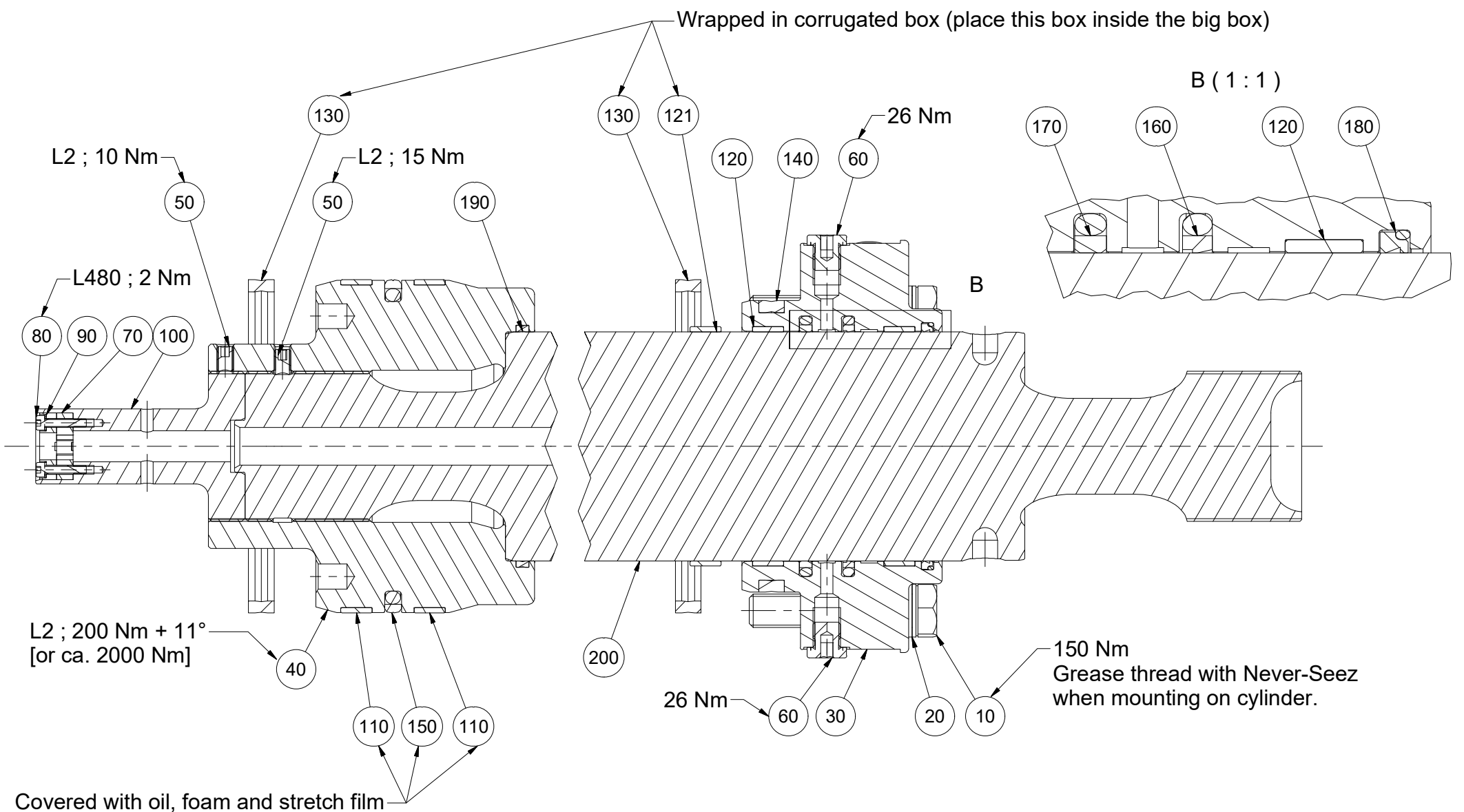


Reservedelsliste - Spare Part List - Ersatzteilliste

Pos.	Stk. Pcs. Stück	Vare nr. Item. no. Warennr.	Beskrivelse	Description	Beschreibung
10	6	27308	Stålbolt M16x 80 - FZB	Steel Bolt M16x 80 - FZB	Schraube M16x 80 - FZB
20	6	27989	Låseskive M16- DIN 25201-limet-FZB/GUL	Lockwasher-M16-DIN 25201-glue-FZB/Yellow	Scheibe-M16- DIN 25201-kleben-FZB/Gelb
30	1	5276112	Pakningsholder 021-160/110-(TN/TV)3.1+CH	Stuffing box 021-160/110-(TN/TV)3.1+CH	Dichtungshalte 021-160/110-(TN/TV)3.1+CH
40	1	5251616	M-sko 00000-160-(TN/TV) (3.1+CH)	Piston 00000-160-(TN/TV) (3.1+CH)	Kolben 00000-160-(TN/TV) (3.1+CH)
50	2	27270	Stopskrue M 8x 12 DIN 916-45H	Stop screw M 8x 12 DIN 916-45H	Stopschraube M 8x 12 DIN 916-45H
60	4	34142	Blændprop 1/4"RG - DIN 908 m/pakning	Plug 1/4"RG-DIN 908 with gasket	Stopfen 1/4"RG - DIN 908 mit Dichtung
70	1	35076	BTL-P-1013-4R-SA9 Magnetskive	BTL-P-1013-4R Magnetic disc	BTL-P-1013-4R Magnetscheibe
80	2	26018	Syrefast Unbraco M 4x 20 - DIN 912	Acid proof allen screw M 4x 20 DIN 912	Säurefest Inbusschraube M 4x 20 DIN 912
90	2	26231	Syrefast c.fj. skive ø4 - DIN 128-A4	Acidproof washer ø4 DIN 128-A4	Säurefest Federring ø4 DIN 128-A4
100	1	5271935	Magnetholder ø 36x 82,5-POM	Magnet mounting ø 36x 82,5-POM	Magnethalter ø 36x 82,5-POM
110	2	29676	Strip 160/155x15,0	Guide ring 160/155x15,0	Führungsband 160/155x15,0
120	2	29694	Strip 110/115x15,0	Guide ring 110/115x15,0	Führungsband 110/115x15,0
121	1	29694	Strip 110/115x15,0	Guide ring 110/115x15,0	Führungsband 110/115x15,0
130	2	29595	Dualeal 148,4/160x12,3-Z20	Dualeal 148,4/160x12,3-Z20	Dualeal 148,4/160x12,3-Z20
140	1	29596	Dualeal 128,4/140x12,3-Z20	Dualeal 128,4/140x12,3-Z20	Dualeal 128,4/140x12,3-Z20
150	1	29672	Seals PGS401600-M12T Stempelpakning	Seals PGS401600-M12T Piston seal	Seals PGS401600-M12T Kolbendichtung
160	1	29693	Seals RSK301100-M12T	Seals RSK301100-M12T	Seals RSK301100-M12T
170	1	29692	Seals RGB301100-M12T	Seals RGB301100-M12T	Seals RGB301100-M12T
180	1	29691	Afstryger WE3201100-M12T	Wiper WE3201100-M12T	Abstreifer WE3201100-M12T
190	1	29739	Dualeal 110,8/117x6,2-Z22	Dualeal 110,8/117x6,2-Z22	Dualeal 110,8/117x6,2-Z22
200	1	5555583	021-160/110x 760-G (3.1+CH)-(Induk.)	021-160/110x 760-G (3.1+CH)-(Induk.)	021-160/110x 760-G (3.1+CH)-(Induk.)



Apply grease(39109) to stuffing box inside and the outside seal groove before mounting seals and guide rings.

Secure bolts and washers with stretch film.

Pack in Cortec VCI bag and corrugated box.

L2 = As: Loctite 243
L480 = As: Loctite 480

Modification date	Modification no.	Replaces	Replaces date	Weight 102 kg																																								
Tolerance ISO 2768-mK		Title Repair kit Heavy Sparepart Sales 160/110 For 5082423		Approved MB Date 14.06.18 Project no. 021-1915-3																																								
<table border="1" style="font-size: small;"> <thead> <tr> <th>Basic size range</th> <th>Tolerance</th> <th>Linear</th> <th>Angle</th> </tr> </thead> <tbody> <tr> <td>Over</td> <td>Up to</td> <td></td> <td></td> </tr> <tr> <td>0,5</td> <td>3</td> <td>± 0,1</td> <td>± 1'00"</td> </tr> <tr> <td>3</td> <td>6</td> <td>± 0,1</td> <td>± 1'00"</td> </tr> <tr> <td>6</td> <td>30</td> <td>± 0,2</td> <td>± 0'30"</td> </tr> <tr> <td>30</td> <td>120</td> <td>± 0,3</td> <td>± 0'20"</td> </tr> <tr> <td>120</td> <td>400</td> <td>± 0,5</td> <td>± 0'10"</td> </tr> <tr> <td>400</td> <td>1000</td> <td>± 0,8</td> <td>± 0'05"</td> </tr> <tr> <td>1000</td> <td>2000</td> <td>± 1,2</td> <td>± 0'05"</td> </tr> <tr> <td>2000</td> <td>4000</td> <td>± 2,0</td> <td>± 0'05"</td> </tr> </tbody> </table>		Basic size range	Tolerance	Linear	Angle	Over	Up to			0,5	3	± 0,1	± 1'00"	3	6	± 0,1	± 1'00"	6	30	± 0,2	± 0'30"	30	120	± 0,3	± 0'20"	120	400	± 0,5	± 0'10"	400	1000	± 0,8	± 0'05"	1000	2000	± 1,2	± 0'05"	2000	4000	± 2,0	± 0'05"	Signature EJ Date 14.06.18 Material no. 5272094H		Scale (1 : 5) ISO E Document no. 10000191767
Basic size range	Tolerance	Linear	Angle																																									
Over	Up to																																											
0,5	3	± 0,1	± 1'00"																																									
3	6	± 0,1	± 1'00"																																									
6	30	± 0,2	± 0'30"																																									
30	120	± 0,3	± 0'20"																																									
120	400	± 0,5	± 0'10"																																									
400	1000	± 0,8	± 0'05"																																									
1000	2000	± 1,2	± 0'05"																																									
2000	4000	± 2,0	± 0'05"																																									
		Lind Jensens Maskinfabrik A/S Kroghusvej 7, Højmark DK-6940 Lem St																																										
		Format A3		Sheet 1 / 1 Rev. 00																																								

This document and the information set forth herein are proprietary to LJM. The information is confidential and subject to copyright protection. The information is placed at the disposal of the receiver solely for personal use and only for manufacture, repair or use of original LJM products, according to contract or other written agreement hereon with LJM. The information must not, either wholly or partly, be copied, reproduced, published or in any other way made available to any third part without written consent from LJM. The information must not, either directly or in succession, be transferred or handed over to any third part to the rights of the receiver. Rev.:03