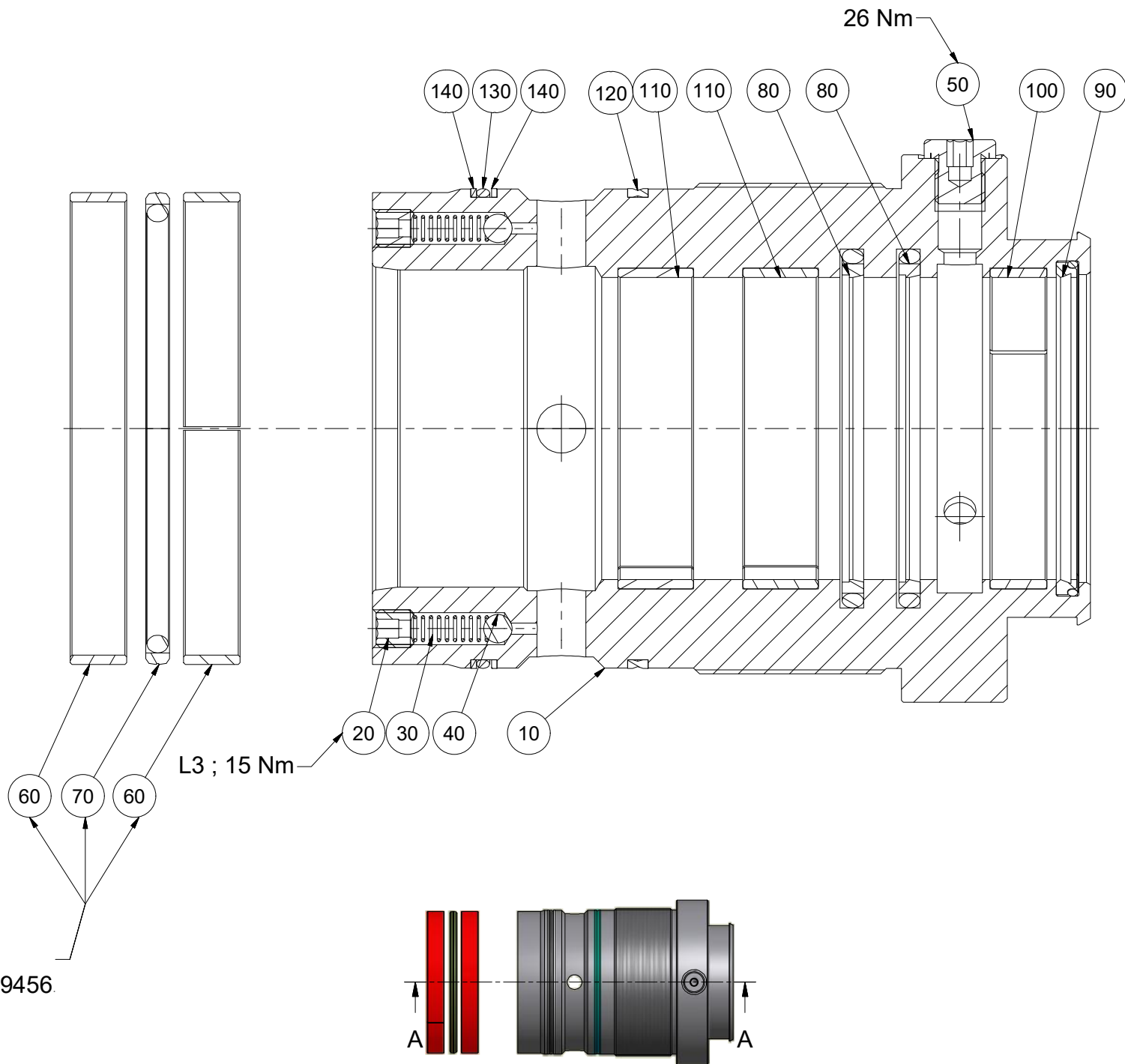


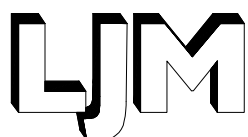
Reservedelsliste - Spare Part List - Ersatzteilliste

Pos.	Stk.	Vare nr.	Beskrivelse	Description	Beschreibung
	Pcs.	Item. no.			
	Stück	Warennr.			
10	1	5201261	Overdel 00000-125/ 80-(TN/TV) (3.1+CH)	Gland 00000-125/ 80-(TN/TV) (3.1+CH)	Dichtungsbuchse 00000-125/ 80-(TN/TV)(3
20	4	2049004	Ventilskruer uden slids NH30-	Valve screw without slot NH30-	Ventilschraube ohne Schlitz NH30-
30	4	56736	Trykfjeder \varnothing 0,90x7,0UDVx19x10V	Pressure spring \varnothing 0,90x7,0UDVx19x10V	Druckfeder \varnothing 0,90x7,0UDVx19x10V
40	4	55001	Stålkugle 7,5 mm	Steel ball 7,5 mm	Stahlkugel 7,5 mm
50	3	34142	Blændprop 1/4"RG - DIN 908 m/pakning	Plug 1/4"RG-DIN 908 with gasket	Stopfen 1/4"RG - DIN 908 mit Dichtung
60	2	29095	Strip Heavy Duty-125x120x15	Guide ring Heavy Duty-125x120x15	Führungsband Heavy Duty-125x120x15
70	1	29085	Seals PGS301250-T49N Stempelpakning	Seals PGS301250-T49N Piston seal	Seals PGS301250-T49N Kolbendichtung
80	2	33477	SEALS PO55-171-0800	SEALS PO55-171-0800	SEALS PO55-171-0800
90	1	33895	Afstryger PO55-591-0800	Wiper PO55-591-0800	Abstreifer PO55-591-0800
100	1	29096	Strip Heavy Duty- 80x 85x15	Guide ring Heavy Duty- 80x 85x15	Führungsband Heavy Duty- 80x 85x15
110	2	29097	Strip Heavy Duty- 80x 85x20	Guide ring Heavy Duty- 80x 85x20	Führungsband Heavy Duty- 80x 85x20
120	1	29527	Dualseal 122,4/127x5,5-Z20	Dualseal 122,4/127x5,5-Z20	Dualseal 122,4/127x5,5-Z20
130	1	31365	O-ring 3,0x119,5	O-ring 3,0x119,5	O-ring 3,0x119,5
140	2	31137	Back up-ring 3,0x119,5	Support ring 3,0x119,5	Stützring 3,0x119,5



Wrapped in
Corrugated boxes 59456.

Modification date	Modification no.	Replaces	Replaces date	Weight
				10,4 kg
Tolerance	Title		Approved	Project no.
ISO 2768-mK	Rep.sæt Light for Reservedelssalg 5066813		GRK	
			Date 08.09.16	
			Signature	Material no.
			MB	5271936L
			Date 08.09.16	
			Scale	Document no.
			(1 : 5)	10000156472
			ISO E	
			Format	Sheet 1 / 1 Rev. 00
			A3	



Lind Jensens Maskinfabrik A/S
Kroghusvej 7, Højmark
DK-6940 Lem St

This document and the information set forth herein are proprietary to LJM. The information is confidential and subject to copyright protection. The information is placed at the disposal of the receiver solely for personal use and only for manufacture, repair or use of original LJM products, according to contract or other written agreement hereon with LJM. The information must not, either wholly or partly, be copied, reproduced, published or in any other way made available to any third part without written consent from LJM. The information must not, either directly or in succession, be transferred or handed over to any third part to the rights of the receiver. Rev.:03