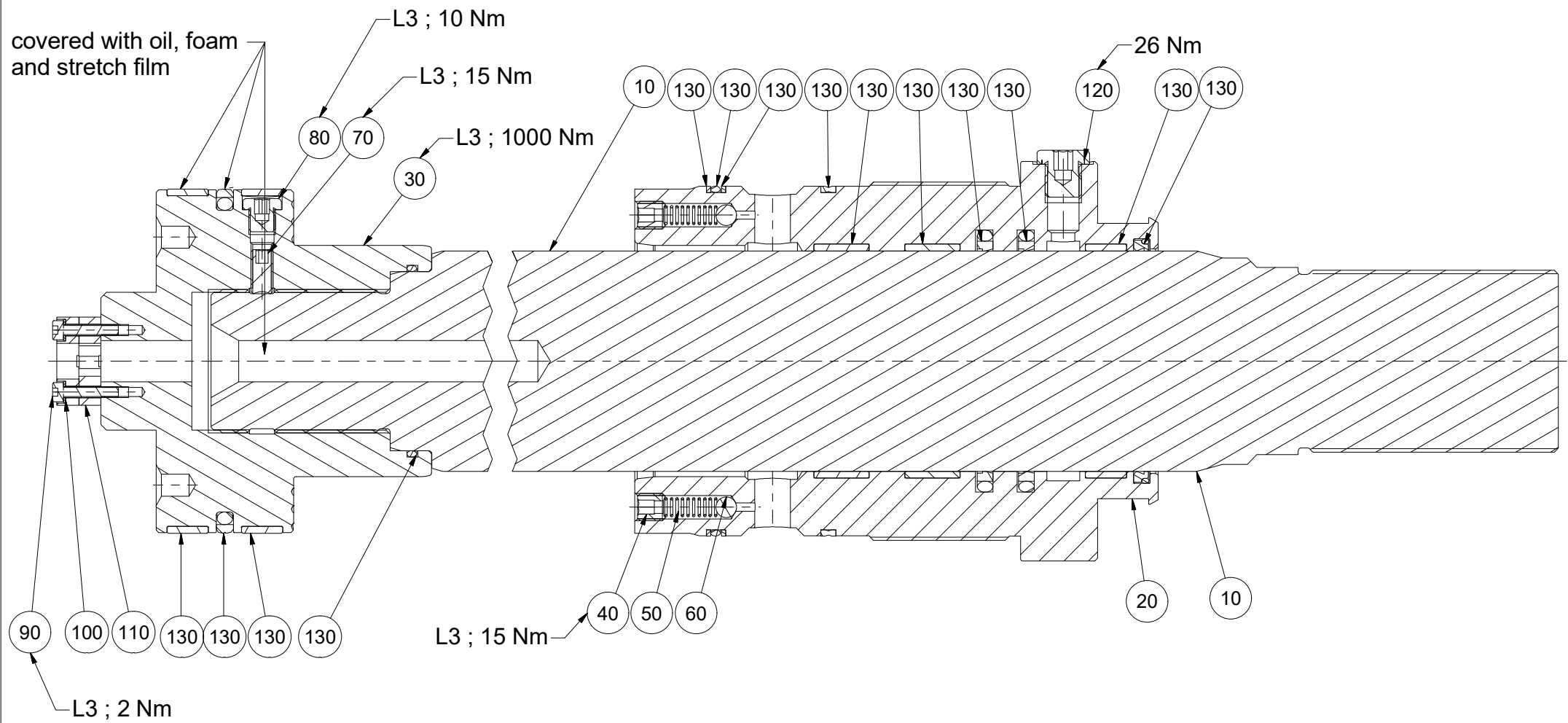


# Reservedelsliste - Spare Part List - Ersatzteilliste

Pos.	Stk. Pc	Vare nr. lte	Beskrivelse	Description	Beschreibung
10	1	5520449	SNH75-125/ 80X 760-G-(3,1+CH)	SNH75-125/ 80X 760-G-(3,1+CH)	SNH75-125/ 80X 760-G-(3,1+CH)
20	1	5201261	Overdel 00000-125/ 80-(TN/TV) (3.1+CH)	Gland 00000-125/ 80-(TN/TV) (3.1+CH)	Dichtungsbuchse 00000-125/ 80-(TN/TV)(3
30	1	5250710	M-sko 00000-125-"T"-(TN/TV) (3.1+CH)	Piston 00000-125-"T"-(TN/TV) (3.1+CH)	Kolben 00000-125-"T"-(TN/TV) (3.1+CH)
40	4	2049004	Ventilskrue uden slids NH30-	Valve screw without slot NH30-	Ventilschraube ohne Schlitz NH30-
50	4	56736	Trykfeder $\varnothing$ 0,90x7,0UDVx19x10V	Pressure spring $\varnothing$ 0,90x7,0UDVx19x10V	Druckfeder $\varnothing$ 0,90x7,0UDVx19x10V
60	4	55001	Stålkugle 7,5 mm	Steel ball 7,5 mm	Stahlkugel 7,5 mm
70	1	27129	Stopskrue M 8x 16 DIN 916-45H	Stop screw M 8x 16 DIN 916-45H	Stopschraube M 8x 16 DIN 916-45H
80	1	34138	Blændprop 1/8"RG - DIN 908 m/pakning	Plug 1/8"RG - DIN 908 with gasket	Stopfen 1/8"RG - DIN 908 mit Dichtung
90	2	26018	Syrefast Unbraco M 4x 20 - DIN 912	Acid proof allen screw M 4x 20 DIN 912	Säurefest Inbusschraube M 4x 20 DIN 912
100	2	26231	Syrefast c.fj. skive $\varnothing$ 4 - DIN 128-A4	Acidproof washer $\varnothing$ 4 DIN 128-A4	Säurefest Federring $\varnothing$ 4 DIN 128-A4
110	1	35076	BTL-P-1013-4R-SA9 Magnetskive	BTL-P-1013-4R Magnetic disc	BTL-P-1013-4R Magnetscheibe
120	3	34142	Blændprop 1/4"RG - DIN 908 m/pakning	Plug 1/4"RG-DIN 908 with gasket	Stopfen 1/4"RG - DIN 908 mit Dichtung
130	1	5267688	Pak.sæt 021-125/ 80-"T"-(TN)	Dichtungssatz 021-125/ 80-"T"-(TN)	Seal kit 021-125/ 80-"T"-(TN)



L3 = As: Loctite 270

Modification date	Modification no.	Replaces	Replaces date	Weight
				58,1 kg
Tolerance		Title		Approved
ISO 2768-mK		Rep.sæt Heavy for Reservedelssalg		OK
		5066813		Date 17.03.20
Basic size range		Tolerance		Signature
Over	Up to	Linear	Angle	MB
0,5	3	$\pm$ 0,1	$\pm$ 1'00"	Date 17.03.20
3	6	$\pm$ 0,1	$\pm$ 1'00"	Material no.
6	30	$\pm$ 0,2	$\pm$ 0'30"	5271936H
30	120	$\pm$ 0,3	$\pm$ 0'20"	Scale
120	400	$\pm$ 0,5	$\pm$ 0'10"	(1 : 5)
400	1000	$\pm$ 0,8	$\pm$ 0'05"	ISO E
1000	2000	$\pm$ 1,2	$\pm$ 0'05"	10000225696
2000	4000	$\pm$ 2,0	$\pm$ 0'05"	Format
		LJM Lind Jensens Maskinfabrik A/S Kroghusvej 7, Højmark DK-6940 Lem St		A3 Sheet 1 / 1 Rev. 00

This document and the information set forth herein are proprietary to LJM. The information is confidential and subject to copyright protection. The information is placed at the disposal of the receiver solely for personal use and only for manufacture, repair or use of original LJM products, according to contract or other written agreement hereon with LJM. The information must not, either wholly or partly, be copied, reproduced, published or in any other way made available to any third part without written consent from LJM. The information must not, either directly or in succession, be transferred or handed over to any third part to the rights of the receiver. Rev.:03