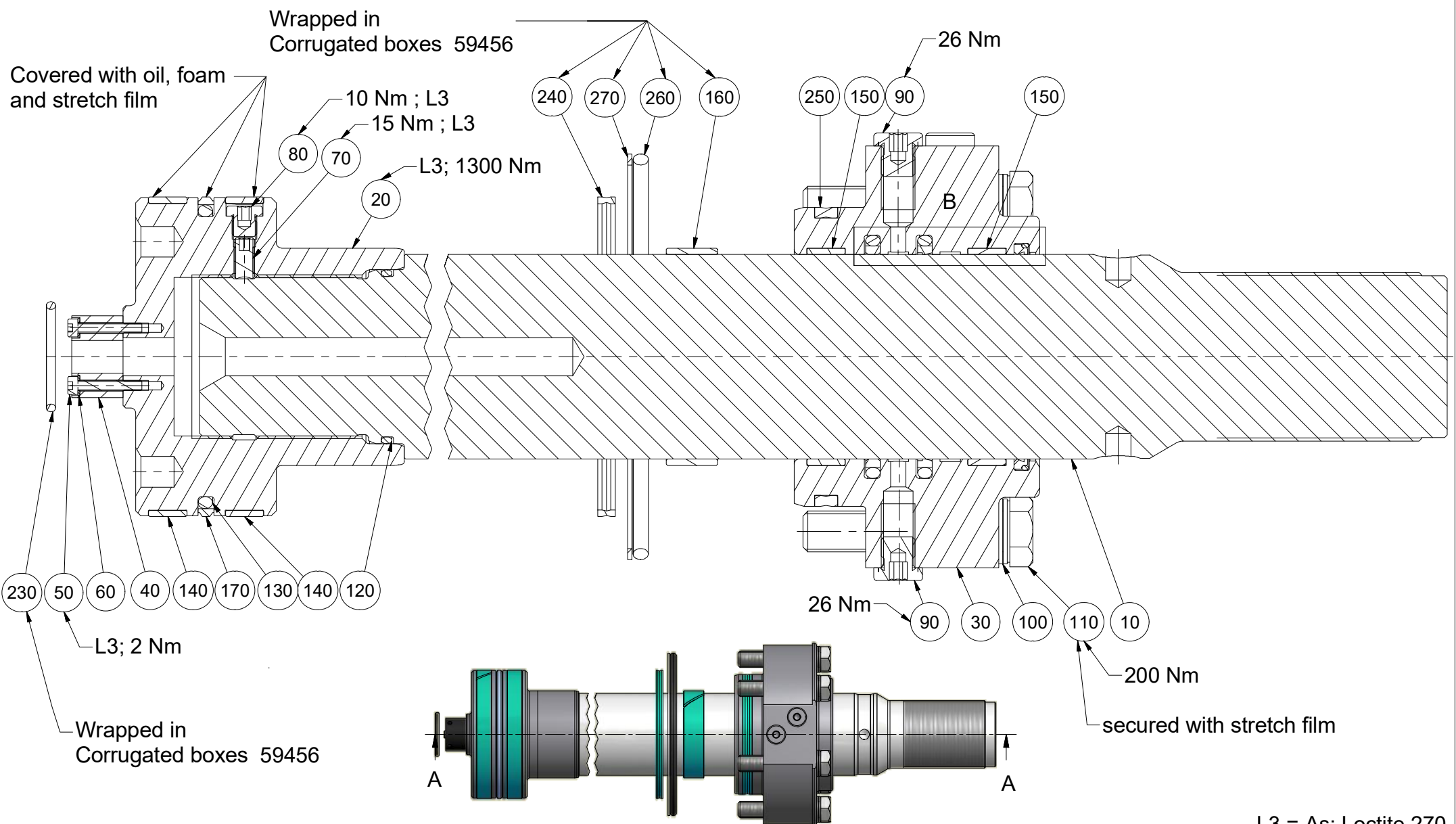
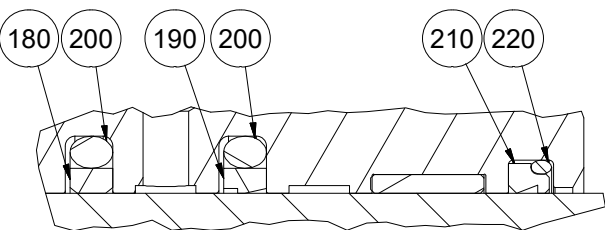


# Reservedelsliste - Spare Part List - Ersatzteilliste

Pos.	Stk.	Vare nr.	Beskrivelse	Description	Beschreibung
	Pcs.	Item. no.			
	Stück	Warennr.			
10	1	5520430	SNH30-125/ 80X 760-G-(3,1+CH)	SNH30-125/ 80X 760-G-(3,1+CH)	SNH30-125/ 80X 760-G-(3,1+CH)
20	1	5250988	M-sko 00000-125-"T"-(TN/TV)	Piston 00000-125-"T"-(TN/TV) (3.1+CH)	Kolben 00000-125-"T"-(TN/TV)
30	1	5276097	Pakningsholder 021-125/80-(TN/TV)(3.1+c	Stuffing box 021-125/80-(TN/TV)(3.1+CH)	Dichtungshalter 021-125/80-(TN/TV)(3.1+c
40	1	35704	BTL-P-2013-4R-SA14, BAM01ZP- Magne	BTL-P-2013-4R-SA14,BAM01ZP-Magneti	BTL-P-2013-4R-SA14, BAM01ZP- Magne
50	2	26043	Syrefast unbraco M 4X 25 DIN 912-A4	Acid proof Allen screw M4X25 DIN 912-A4	Säurebestandig Inbussschraube M4X25
60	2	26231	Syrefast c.fj. skive ø4 - DIN 128-A4	Acidproof washer ø4 DIN 128-A4	Säurefest Federring ø4 DIN 128-A4
70	1	27129	Stopskrue M 8x 16 DIN 916-45H	Stop screw M 8x 16 DIN 916-45H	Stopschraube M 8x 16 DIN 916-45H
80	1	34138	Blændprop 1/8"RG - DIN 908 m/pakning	Plug 1/8"RG - DIN 908 with gasket	Stopfen 1/8"RG - DIN 908 mit Dichtung
90	4	34142	Blændprop 1/4"RG - DIN 908 m/pakning	Plug 1/4"RG-DIN 908 with gasket	Stopfen 1/4"RG - DIN 908 mit Dichtung
100	6	27989	Låseskive M16- DIN 25201-limet-FZB/GUL	Lockwasher-M16-DIN 25201-glue-FZB/Yel	Scheibe-M16- DIN 25201-kleben-FZB/Gelt
110	6	27308	Stålbolt M16x 80 - FZB	Steel Bolt M16x 80 - FZB	Schraube M16x 80 - FZB
120	1	31594	O-ring 3,53x 59,92 70 Shore	O-ring 3,53x 59,92 70 Shore	O-ring 3,53x 59,92 70 Shore
130	1	31795	O-RING 5,33X107,32 70 SHORE	O-RING 5,33X107,32 70 SHORE	O-RING 5,33X107,32 70 SHORE
140	2	29291	STRIP 125/120X15,0	Guide ring 125/120X15,0	STRIP 125/120X15,0
150	2	29292	Strip 80/ 85X15,0	Guide ring 80/ 85X15,0	Führungsband 80/ 85X15,0
160	1	29293	STRIP 80/ 85X20,0	Guide ring 80/ 85X20,0	STRIP 80/ 85X20,0
170	1	29601	Seals PGB301250-M12 Stempelpakning	Seals PGB301250-M12	Seals PGB301250-M12
180	1	29602	Seals RGB300800-M12	Seals RGB300800-M12	Seals RGB300800-M12
190	1	29603	Seals RSK300800-M12	Seals RSK300800-M12	Seals RSK300800-M12
200	2	31796	O-ring 5,33X85,09 70 Shore	O-ring 5,33X85,09 70 Shore	O-ring 5,33X85,09 70 Shore
210	1	29604	Afstryger WE3200800-M12	Wiper WE3200800-M12	Abstreifer WE3200800-M12
220	1	31797	O-ring 3,53x 82,14 70 Shore	O-ring 3,53x 82,14 70 Shore	O-ring 3,53x 82,14 70 Shore
230	1	31605	O-ring 3,53X 37,70 90SHORE	O-ring 3,53X 37,70 90SHORE	O-ring 3,53X 37,70 90SHORE
240	1	29530	Dualseal 119,80/125x6,8-Z20	Dualseal 119,80/125x6,8-Z20	Dualseal 119,80/125x6,8-Z20
250	1	29535	Dualseal 108,4/117x9,0-Z20	Dualseal 108,4/117x9,0-Z20	Dualseal 108,4/117x9,0-Z20
260	1	31784	O-ring 5,33x151,77 70 Shore	O-ring 5,33x151,77 70 Shore	O-ring 5,33x151,77 70 Shore
270	1	31288	Back up-ring 5,33x151,77	Support ring 5,33x151,77	Stützring 5,33x151,77



L3 = As: Loctite 270



Modification date <b>08.06.2017</b>		Modification no. <b>500000002647</b>		Replaces	Replaces date	Weight <b>57 kg</b>
Tolerance ISO 2768-mK		Title <b>Rep.sæt Heavy for Reservedelsalg 5066665/5066688</b>		Approved KKF	Project no.	
Basic size range		Tolerance		Date 09.06.17	Material no.	
Over	Up to	Linear	Angle	Signature EJ	5271885H	
0,5	3	± 0,1	± 1'00"	Date 09.06.17	Document no.	
3	6	± 0,1	± 1'00"	Scale (1 : 5)	10000149258	
6	30	± 0,2	± 0'30"	ISO E	Sheet 1 / 1 Rev. 02	
30	120	± 0,3	± 0'20"	Format A3		
120	400	± 0,5	± 0'10"	Lind Jensens Maskinfabrik A/S Kroghusvej 7, Højmark DK-6940 Lem St		
400	1000	± 0,8	± 0'05"			
1000	2000	± 1,2	± 0'05"			
2000	4000	± 2,0	± 0'05"			

This document and the information set forth herein are proprietary to LJM. The information is confidential and subject to copyright protection. The information is placed at the disposal of the receiver solely for personal use and only for manufacture, repair or use of original LJM products, according to contract or other written agreement hereon with LJM. The information must not, either wholly or partly, be copied, reproduced, published or in any other way made available to any third part without written consent from LJM. The information must not, either directly or in succession, be transferred or handed over to any third part to the rights of the receiver.