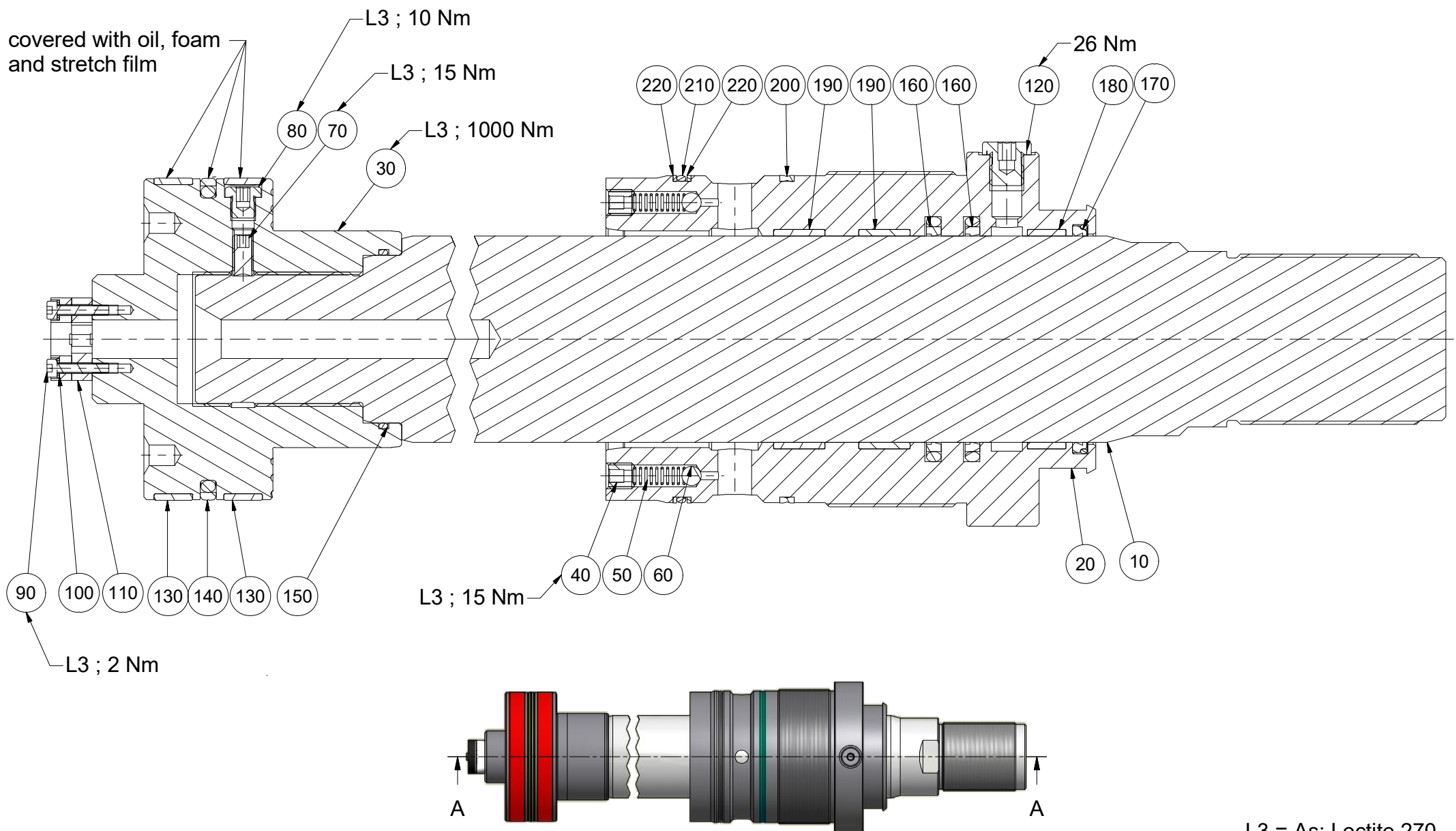


Reservedelsliste - Spare Part List - Ersatzteilliste

Pos.	Stk.	Vare nr.	Beskrivelse	Description	Beschreibung
	Pcs.	Item. no.			
	Stück	Warennr.			
10	1	5520420	SNH30-125/ 80X 760-G-(3,1+CH)	SNH30-125/ 80X 760-G-(3,1+CH)	SNH30-125/ 80X 760-G-(3,1+CH)
20	1	5201261	Overdel 00000-125/ 80-(TN/TV) (3.1+CH)	Gland 00000-125/ 80-(TN/TV) (3.1+CH)	Dichtungsbuchse 00000-125/ 80-(TN/TV)(3
30	1	5250710	M-sko 00000-125-"T"-(TN/TV) (3.1+CH)	Piston 00000-125-"T"-(TN/TV) (3.1+CH)	Kolben 00000-125-"T"-(TN/TV) (3.1+CH)
40	4	2049004	Ventilskruer uden slids NH30-	Valve screw without slot NH30-	Ventilschraube ohne Schlitz NH30-
50	4	56736	Trykfjeder ø 0,90x7,0UDVx19x10V	Pressure spring ø 0,90x7,0UDVx19x10V	Druckfeder ø 0,90x7,0UDVx19x10V
60	4	55001	Stålkugle 7,5 mm	Steel ball 7,5 mm	Stahlkugel 7,5 mm
70	1	27129	Stopskruer M 8x 16 DIN 916-45H	Stop screw M 8x 16 DIN 916-45H	Stopschraube M 8x 16 DIN 916-45H
80	1	34138	Blændprop 1/8"RG - DIN 908 m/pakning	Plug 1/8"RG - DIN 908 with gasket	Stopfen 1/8"RG - DIN 908 mit Dichtung
90	2	26018	Syrefast Unbraco M 4x 20 - DIN 912	Acid proof allen screw M 4x 20 DIN 912	Säurefest Inbusschraube M 4x 20 DIN 912
100	2	26231	Syrefast c.fj. skive ø4 - DIN 128-A4	Acidproof washer ø4 DIN 128-A4	Säurefest Federring ø4 DIN 128-A4
110	1	35076	BTL-P-1013-4R-SA9 Magnetskive	BTL-P-1013-4R Magnetic disc	BTL-P-1013-4R Magnetscheibe
120	3	34142	Blændprop 1/4"RG - DIN 908 m/pakning	Plug 1/4"RG-DIN 908 with gasket	Stopfen 1/4"RG - DIN 908 mit Dichtung
130	2	29095	Strip Heavy Duty-125x120x15	Guide ring Heavy Duty-125x120x15	Führungsband Heavy Duty-125x120x15
140	1	29085	Seals PGS301250-T49N Stempelpakning	Seals PGS301250-T49N Piston seal	Seals PGS301250-T49N Kolbendichtung
150	1	31534	O-ring 3,0x 64,5 90 Shore	O-ring 3,0x 64,5 90 Shore	O-ring 3,0x 64,5 90 Shore
160	2	33477	SEALS PO55-171-0800	SEALS PO55-171-0800	SEALS PO55-171-0800
170	1	33895	Afstryger PO55-591-0800	Wiper PO55-591-0800	Abstreifer PO55-591-0800
180	1	29096	Strip Heavy Duty- 80x 85x15	Guide ring Heavy Duty- 80x 85x15	Führungsband Heavy Duty- 80x 85x15
190	2	29097	Strip Heavy Duty- 80x 85x20	Guide ring Heavy Duty- 80x 85x20	Führungsband Heavy Duty- 80x 85x20
200	1	29527	Dualseal 122,4/127x5,5-Z20	Dualseal 122,4/127x5,5-Z20	Dualseal 122,4/127x5,5-Z20
210	1	31365	O-ring 3,0x119,5	O-ring 3,0x119,5	O-ring 3,0x119,5
220	2	31137	Back up-ring 3,0x119,5	Support ring 3,0x119,5	Stützring 3,0x119,5



L3 = As: Loctite 270

Modification date	Modification no.	Replaces	Replaces date	Weight 57,7 kg																																				
Tolerance ISO 2768-mK		Title Rep.sæt Heavy for Reservedelsalg 5066609/5066492		Approved LEP																																				
<table border="1" style="font-size: small;"> <thead> <tr> <th>Basic size range</th> <th>Tolerance</th> <th>Linear</th> <th>Angle</th> </tr> </thead> <tbody> <tr> <td>Over 3</td> <td>Up to 6</td> <td>± 0,1</td> <td>± 1'00"</td> </tr> <tr> <td>3</td> <td>6</td> <td>± 0,1</td> <td>± 1'00"</td> </tr> <tr> <td>6</td> <td>30</td> <td>± 0,2</td> <td>± 0'30"</td> </tr> <tr> <td>30</td> <td>120</td> <td>± 0,3</td> <td>± 0'20"</td> </tr> <tr> <td>120</td> <td>400</td> <td>± 0,5</td> <td>± 0'10"</td> </tr> <tr> <td>400</td> <td>1000</td> <td>± 0,8</td> <td>± 0'05"</td> </tr> <tr> <td>1000</td> <td>2000</td> <td>± 1,2</td> <td>± 0'05"</td> </tr> <tr> <td>2000</td> <td>4000</td> <td>± 2,0</td> <td>± 0'05"</td> </tr> </tbody> </table>		Basic size range	Tolerance	Linear	Angle	Over 3	Up to 6	± 0,1	± 1'00"	3	6	± 0,1	± 1'00"	6	30	± 0,2	± 0'30"	30	120	± 0,3	± 0'20"	120	400	± 0,5	± 0'10"	400	1000	± 0,8	± 0'05"	1000	2000	± 1,2	± 0'05"	2000	4000	± 2,0	± 0'05"	Date 22.06.16 Signature MB Date 22.06.16 Scale (1 : 5) ISO E		Project no. Material no. 5271802H Document no. 10000149260
Basic size range	Tolerance	Linear	Angle																																					
Over 3	Up to 6	± 0,1	± 1'00"																																					
3	6	± 0,1	± 1'00"																																					
6	30	± 0,2	± 0'30"																																					
30	120	± 0,3	± 0'20"																																					
120	400	± 0,5	± 0'10"																																					
400	1000	± 0,8	± 0'05"																																					
1000	2000	± 1,2	± 0'05"																																					
2000	4000	± 2,0	± 0'05"																																					
Lind Jensens Maskinfabrik A/S Kroghusvej 7, Højmark DK-6940 Lem St			Format A3 Sheet 1 / 1 Rev. 01																																					

This document and the information set forth herein are proprietary to LJM. The information is confidential and subject to copyright protection. The information is placed at the disposal of the receiver solely for personal use and only for manufacture, repair or use of original LJM products, according to contract or other written agreement hereon with LJM. The information must not, either wholly or partly, be copied, reproduced, published or in any other way made available to any third party without written consent from LJM. The information must not, either directly or in succession, be transferred or handed over to any third party to the rights of the receiver. Rev.:03