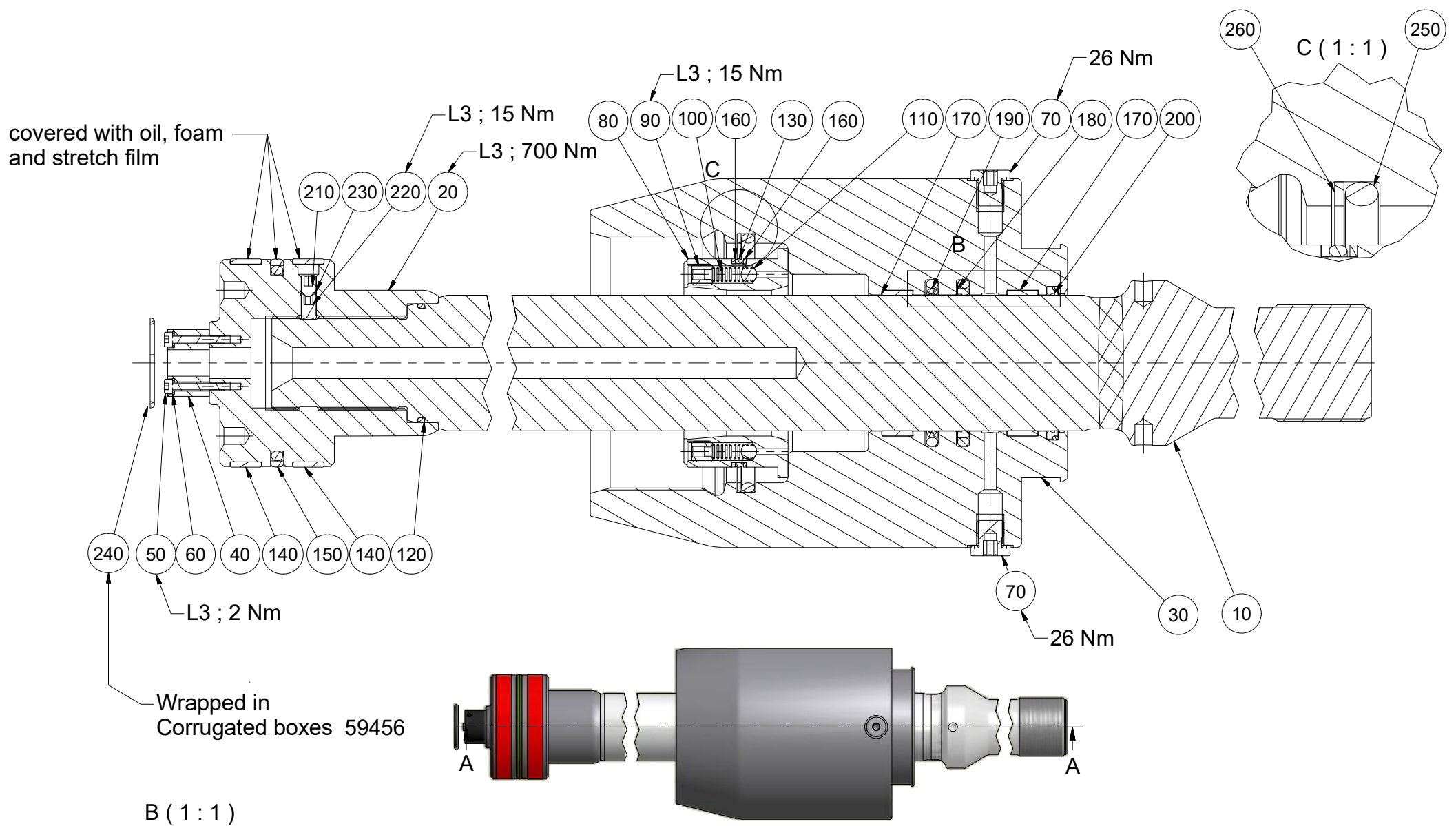


# Reservedelsliste - Spare Part List - Ersatzteilliste

Pos.	Stk.	Vare nr.	Beskrivelse	Description	Beschreibung
	Pcs.	Item. no.			
	Stück	Warennr.			
10	1	5510843	SNH30-100/ 65X 760-G (3.1+CH)	SNH30-100/ 65X 760-G (3.1+CH)	SNH30-100/ 65X 760-G (3.1+CH)
20	1	5250936	M-sko 00000-100-"T"-(TN/TV) (3.1+CH)	Piston 00000-100-"T"-(TN/TV) (3.1+CH)	Kolben 00000-100-"T"-(TN/TV) (3.1+CH)
30	1	5202730	Overdel 00000-100/65-(TN/TV) (3.1+CH)	Gland 00000-100/65-(TN/TV) (3.1+CH)	Dichtungsbu 00000-100/65-(TN/TV)(3.1+C
40	1	35704	BTL-P-2013-4R-SA14, BAM01ZP- Magne	BTL-P-2013-4R-SA14,BAM01ZP-Magneti	BTL-P-2013-4R-SA14, BAM01ZP- Magne
50	2	26043	Syrefast unbraco M 4X 25 DIN 912-A4	Acid proof Allen screw M4X25 DIN 912-A4	Säurebestandig Inbusschraube M4X25
60	2	26231	Syrefast c.fj. skive ø4 - DIN 128-A4	Acidproof washer ø4 DIN 128-A4	Säurefest Federring ø4 DIN 128-A4
70	2	34142	Blændprop 1/4"RG - DIN 908 m/pakning	Plug 1/4"RG-DIN 908 with gasket	Stopfen 1/4"RG - DIN 908 mit Dichtung
80	1	5210137	Dæmpningsbøsn. SNH30-100-"T" (3.1 + C	DÆMPNINGSBØSN. SNH30-100-"T"	DÆMPNINGSBØSN. SNH30-100-"T"
90	4	2049004	Ventilskrue uden slids NH30-	Valve screw without slot NH30-	Ventilschraube ohne Schlitz NH30-
100	4	56736	Trykfjeder ø 0,90x7,0UDVx19x10V	Pressure spring ø 0,90x7,0UDVx19x10V	Druckfeder ø 0,90x7,0UDVx19x10V
110	4	55001	Stålkugle 7,5 mm	Steel ball 7,5 mm	Stahlkugel 7,5 mm
120	1	31399	O-ring 3,0x 52,2	O-ring 3,0x 52,2	O-ring 3,0x 52,2
130	1	31358	O-ring 3,0x 94,5	O-ring 3,0x 94,5	O-ring 3,0x 94,5
140	2	29198	Strip Heavy Duty-100x 95x15	Guide ring Heavy Duty-100x 95x15	Führungsband Heavy Duty-100x 95x15
150	1	29683	Seals PGS301000-M12N Stempelpakning	Seals PGS301000-M12N Piston seal	Seals PGS301000-M12N Kolbendichtung
160	2	31905	Back up-ring 3,0x 94,5	Support ring 3,0x 94,5	Stützring 3,0x 94,5
170	2	29279	Strip Heavy Duty- 65x 70x15	Guide ring Heavy Duty- 65x 70x15	Führungsband Heavy Duty- 65x 70x15
180	1	29681	Seals RSK300650-M12N	Seals RSK300650-M12N	Seals RSK300650-M12N
190	1	29679	Seals RSV300650-M12N	Seals RSV300650-M12N	Seals RSV300650-M12N
200	1	29682	Afstryger WE3200650-M12N	Wiper WE3200650-M12N	Abstreifer WE3200650-M12N
210	1	27235	Stopskrue M 8x 10 DIN 914-45H	Stop screw M 8x 10 DIN 914-45H	Stopschraube M 8x 10 DIN 914-45H
220	1	27270	Stopskrue M 8x 12 DIN 916-45H	Stop screw M 8x 12 DIN 916-45H	Stopschraube M 8x 12 DIN 916-45H
230	1	31054	O-ring 1,5x 3,5	O-Ring 1,5x 3,5	O-ring 1,5x 3,5
240	1	31605	O-ring 3,53X 37,70 90SHORE	O-ring 3,53X 37,70 90SHORE	O-ring 3,53X 37,70 90SHORE
250	1	31724	O-ring 5,7x114,2	O-ring 5,7x114,2	O-ring 5,7x114,2
260	1	31270	Back up-ring 5,7x114,2	Support ring 5,7x114,2	Stützring 5,7x114,2



L3 = As: Loctite 270

Modification date <b>08.06.2017</b>	Modification no. <b>500000002647</b>	Replaces	Replaces date	Weight <b>58,5 kg</b>
Tolerance ISO 2768-mK		Title <b>Rep.sæt Heavy for Reservedelsalg 5057266</b>		Approved <b>KKF</b>
Basic size range   Tolerance		Date <b>08.06.17</b>		Project no.
Over   Up to	Linear   Angle	Signature <b>EJ</b>		Material no. <b>5202730H</b>
0,5   3	± 0,1   ± 1'00"	Date <b>08.06.17</b>		Document no.
3   6	± 0,1   ± 1'00"	Scale <b>(1 : 5)</b>		ISO E <input type="checkbox"/> <input checked="" type="checkbox"/>
6   30	± 0,2   ± 0'30"	Format <b>A3</b>		Sheet <b>1 / 1</b> Rev. <b>03</b>
30   120	± 0,3   ± 0'20"	Lind Jensens Maskinfabrik A/S Kroghusvej 7, Højmark DK-6940 Lem St		
120   400	± 0,5   ± 0'10"	10000148878		
400   1000	± 0,8   ± 0'05"			
1000   2000	± 1,2   ± 0'05"			
2000   4000	± 2,0   ± 0'05"			

This document and the information set forth herein are proprietary to LJM. The information is confidential and subject to copyright protection. The information is placed at the disposal of the receiver solely for personal use and only for manufacture, repair or use of original LJM products, according to contract or other written agreement hereon with LJM. The information must not, either wholly or partly, be copied, reproduced, published or in any other way made available to any third part without written consent from LJM. The information must not, either directly or in succession, be transferred or handed over to any third part to the rights of the receiver. Rev.:03