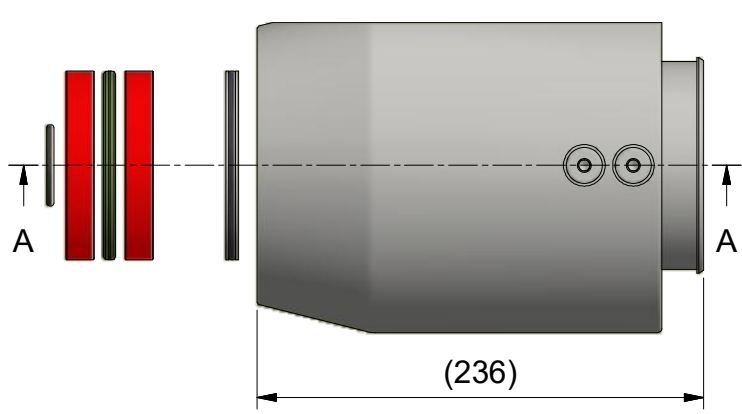
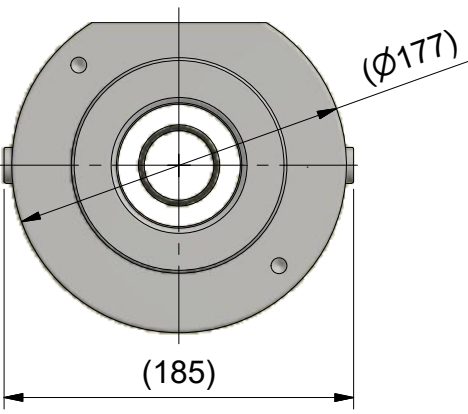
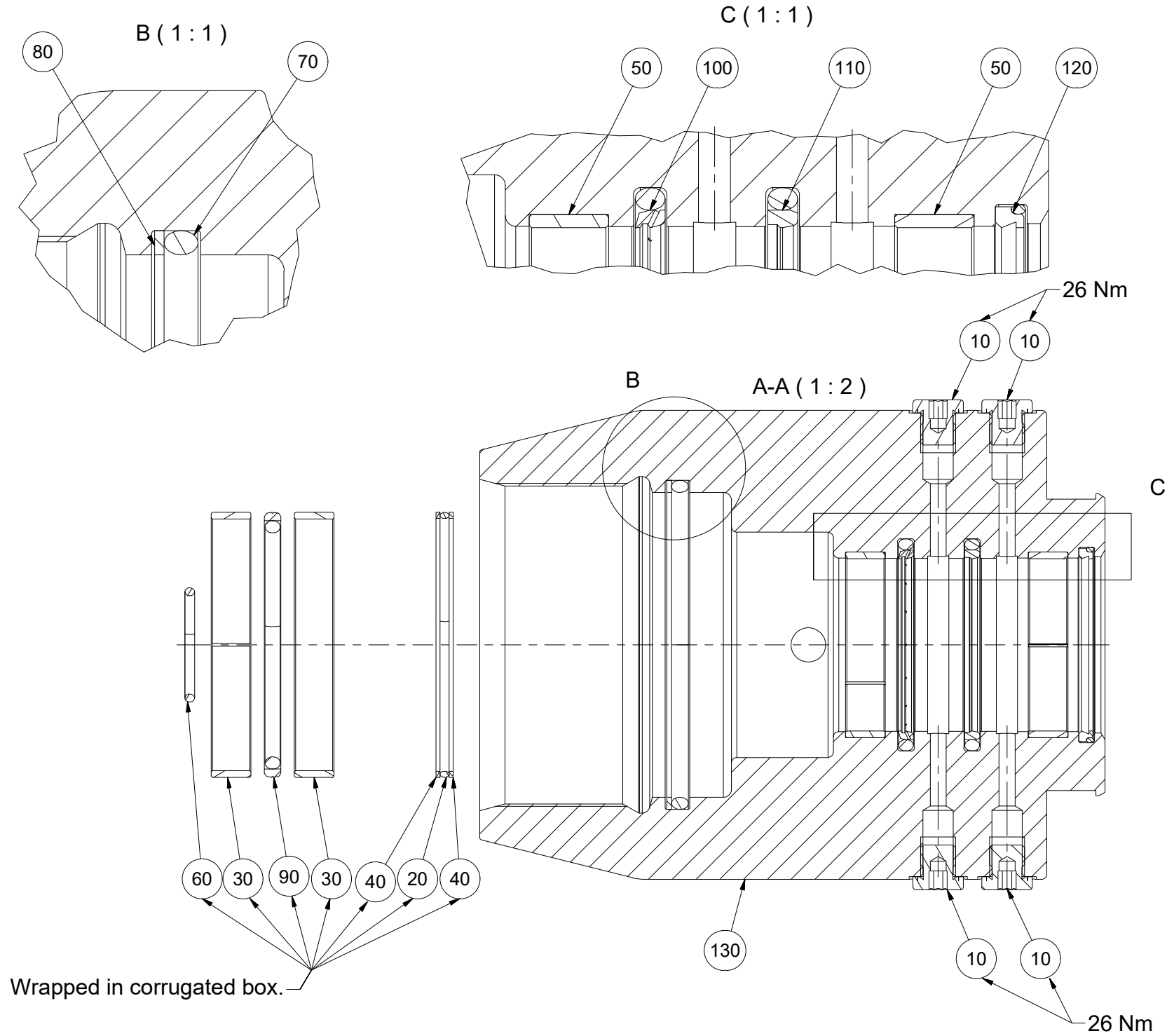


## Reservedelsliste - Spare Part List - Ersatzteilliste

Pos.	Stk. Pcs. Stück	Vare nr. Item. no. Warennr.	Beskrivelse	Description	Beschreibung
10	4	34142	Blændprop 1/4"RG - DIN 908 m/pakning	Plug 1/4"RG-DIN 908 with gasket	Stopfen 1/4"RG - DIN 908 mit Dichtung
20	1	31358	O-ring 3,0x 94,5	O-ring 3,0x 94,5	O-ring 3,0x 94,5
30	2	29198	Strip Heavy Duty-100x 95x15	Guide ring Heavy Duty-100x 95x15	Führungsband Heavy Duty-100x 95x15
40	2	31905	Back up-ring 3,0x 94,5	Support ring 3,0x 94,5	Stützring 3,0x 94,5
50	2	29279	Strip Heavy Duty- 65x 70x15	Guide ring Heavy Duty- 65x 70x15	Führungsband Heavy Duty- 65x 70x15
60	1	31605	O-ring 3,53X 37,70 90SHORE	O-ring 3,53X 37,70 90SHORE	O-ring 3,53X 37,70 90SHORE
70	1	31724	O-ring 5,7x114,2	O-ring 5,7x114,2	O-ring 5,7x114,2
80	1	31270	Back up-ring 5,7x114,2	Support ring 5,7x114,2	Stützring 5,7x114,2
90	1	29683	Seals PGS301000-M12N Stempelpakning	Seals PGS301000-M12N Piston seal	Seals PGS301000-M12N Kolbendichtung
100	1	29679	Seals RSV300650-M12N	Seals RSV300650-M12N	Seals RSV300650-M12N
110	1	29681	Seals RSK300650-M12N	Seals RSK300650-M12N	Seals RSK300650-M12N
120	1	29682	Afstryger WE3200650-M12N	Wiper WE3200650-M12N	Abstreifer WE3200650-M12N
130	1	5202658	Overdel 00000-100/65-(TN/TV) (3.1+CH)	Gland 00000-100/65-(TN/TV) (3.1+CH)	Dichtungsbu 00000-100/65-(TN/TV)(3.1+CH)



Apply grease(39109) to gland inside seal grooves before mounting seals and guide rings.

Use calibration cone(tapered mandrel) to fit the seals to rod diameter after mounting.

Pack in Cortec VCI bag and corrugated box.

Modification date	Modification no.	Replaces	Replaces date	Weight
				26,7 kg
Tolerance		Title		Approved
ISO 2768-mK		Repair kit Light Sparepart Sales 100/ 65 For 5057235 (29061275)		MB
				Date 08.05.18
				EJ
				Date 08.05.18
				5202658L
				10000189927
				Rev. 00

This document and the information set forth herein are proprietary to LJM. The information is confidential and subject to copyright protection. The information is placed at the disposal of the receiver solely for personal use and only for manufacture, repair or use of original LJM products, according to contract or other written agreement hereon with LJM. The information must not, either wholly or partly, be copied, reproduced, published or in any other way made available to any third part without written consent from LJM. The information must not, either directly or in succession, be transferred or handed over to any third part to the rights of the receiver.