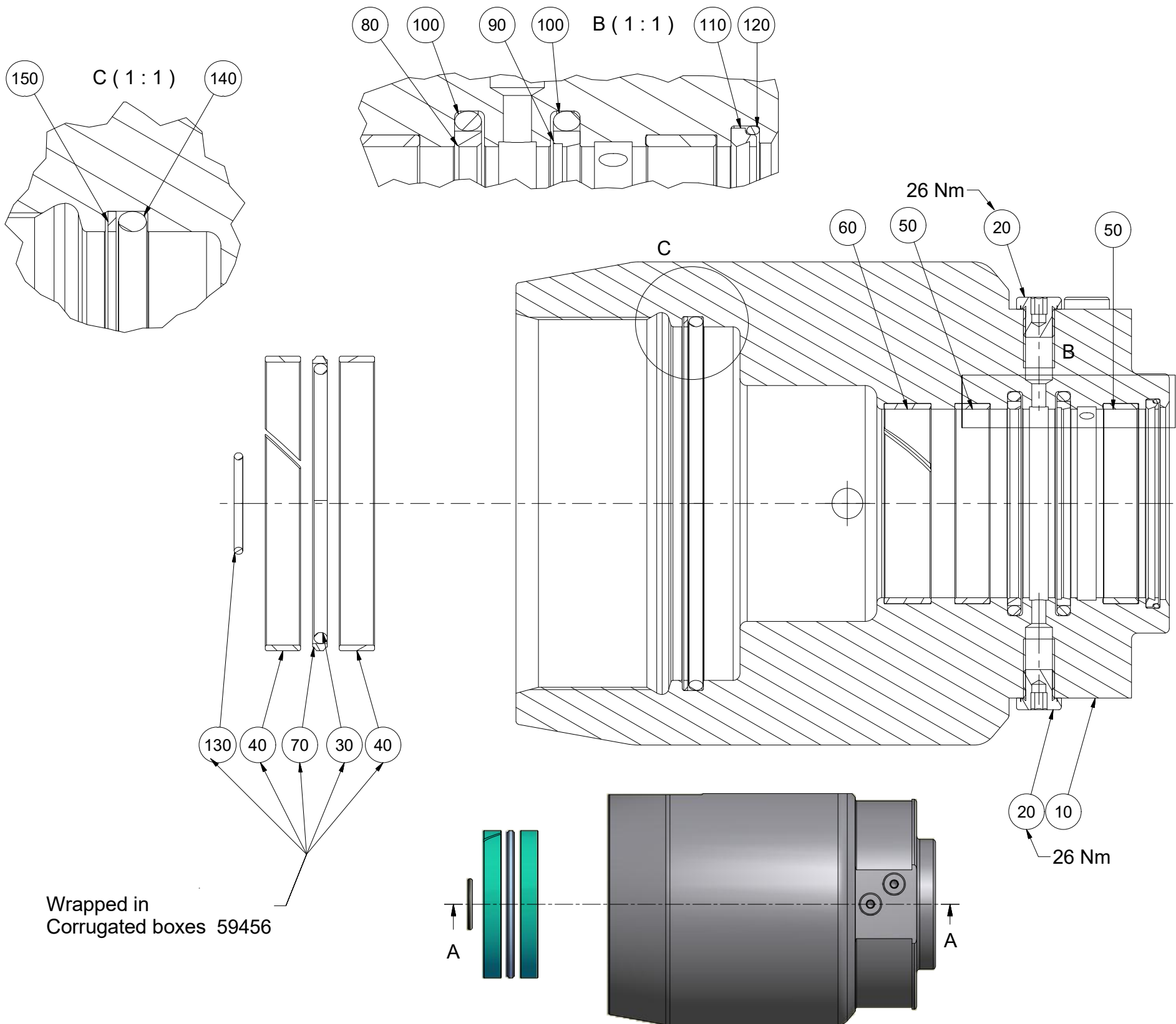


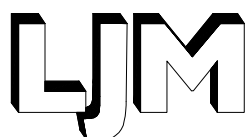
Reservedelsliste - Spare Part List - Ersatzteilliste

Pos.	Stk.	Vare nr.	Beskrivelse	Description	Beschreibung
	Pcs.	Item. no.			
	Stück	Warennr.			
10	1	5202599	Overdel 021-125/ 80-(TN/TV)-(3.1+CH)	Gland 021-125/ 80-(TN/TV)-(3.1+CH)	Dicht.buchse 021-125/ 80-(TN/TV)-(3.1+CH)
20	4	34142	Blændprop 1/4"RG - DIN 908 m/pakning	Plug 1/4"RG-DIN 908 with gasket	Stopfen 1/4"RG - DIN 908 mit Dichtung
30	1	31795	O-RING 5,33X107,32 70 SHORE	O-RING 5,33X107,32 70 SHORE	O-RING 5,33X107,32 70 SHORE
40	2	29291	STRIP 125/120X15,0	Guide ring 125/120X15,0	STRIP 125/120X15,0
50	2	29292	Strip 80/ 85X15,0	Guide ring 80/ 85X15,0	Führungsband 80/ 85X15,0
60	1	29293	STRIP 80/ 85X20,0	Guide ring 80/ 85X20,0	STRIP 80/ 85X20,0
70	1	29601	Seals PGB301250-M12 Stempelpakning	Seals PGB301250-M12	Seals PGB301250-M12
80	1	29602	Seals RGB300800-M12	Seals RGB300800-M12	Seals RGB300800-M12
90	1	29603	Seals RSK300800-M12	Seals RSK300800-M12	Seals RSK300800-M12
100	2	31796	O-ring 5,33X85,09 70 Shore	O-ring 5,33X85,09 70 Shore	O-ring 5,33X85,09 70 Shore
110	1	29604	Afstryger WE3200800-M12	Wiper WE3200800-M12	Abstreifer WE3200800-M12
120	1	31797	O-ring 3,53x 82,14 70 Shore	O-ring 3,53x 82,14 70 Shore	O-ring 3,53x 82,14 70 Shore
130	1	31605	O-ring 3,53X 37,70 90SHORE	O-ring 3,53X 37,70 90SHORE	O-ring 3,53X 37,70 90SHORE
140	1	31784	O-ring 5,33x151,77 70 Shore	O-ring 5,33x151,77 70 Shore	O-ring 5,33x151,77 70 Shore
150	1	31288	Back up-ring 5,33x151,77	Support ring 5,33x151,77	Stützring 5,33x151,77



Wrapped in
Corrugated boxes 59456

Modification date 08.06.2017	Modification no. 500000002647	Replaces	Replaces date	Weight 39,3 kg																																								
Tolerance ISO 2768-mK		Title Rep.sæt Light for Reservedelsalg 5066760		Approved KKF																																								
<table border="1" style="font-size: small;"> <thead> <tr> <th>Basic size range</th> <th>Tolerance</th> <th>Linear</th> <th>Angle</th> </tr> </thead> <tbody> <tr> <td>Over</td> <td>Up to</td> <td></td> <td></td> </tr> <tr> <td>0,5</td> <td>3</td> <td>± 0,1</td> <td>± 1'00"</td> </tr> <tr> <td>3</td> <td>6</td> <td>± 0,1</td> <td>± 1'00"</td> </tr> <tr> <td>6</td> <td>30</td> <td>± 0,2</td> <td>± 0'30"</td> </tr> <tr> <td>30</td> <td>120</td> <td>± 0,3</td> <td>± 0'20"</td> </tr> <tr> <td>120</td> <td>400</td> <td>± 0,5</td> <td>± 0'10"</td> </tr> <tr> <td>400</td> <td>1000</td> <td>± 0,8</td> <td>± 0'05"</td> </tr> <tr> <td>1000</td> <td>2000</td> <td>± 1,2</td> <td>± 0'05"</td> </tr> <tr> <td>2000</td> <td>4000</td> <td>± 2,0</td> <td>± 0'05"</td> </tr> </tbody> </table>		Basic size range	Tolerance	Linear	Angle	Over	Up to			0,5	3	± 0,1	± 1'00"	3	6	± 0,1	± 1'00"	6	30	± 0,2	± 0'30"	30	120	± 0,3	± 0'20"	120	400	± 0,5	± 0'10"	400	1000	± 0,8	± 0'05"	1000	2000	± 1,2	± 0'05"	2000	4000	± 2,0	± 0'05"	Date 09.06.17		Project no. 021-2614-2
Basic size range	Tolerance	Linear	Angle																																									
Over	Up to																																											
0,5	3	± 0,1	± 1'00"																																									
3	6	± 0,1	± 1'00"																																									
6	30	± 0,2	± 0'30"																																									
30	120	± 0,3	± 0'20"																																									
120	400	± 0,5	± 0'10"																																									
400	1000	± 0,8	± 0'05"																																									
1000	2000	± 1,2	± 0'05"																																									
2000	4000	± 2,0	± 0'05"																																									
		Signature EJ		Material no. 5202599L																																								
		Date 09.06.17		Document no. 10000147663																																								
		Scale (1 : 4)		ISO E																																								
		Format A3		Sheet 1 / 1 Rev. 02																																								



Lind Jensens Maskinfabrik A/S
Kroghusvej 7, Højmark
DK-6940 Lem St