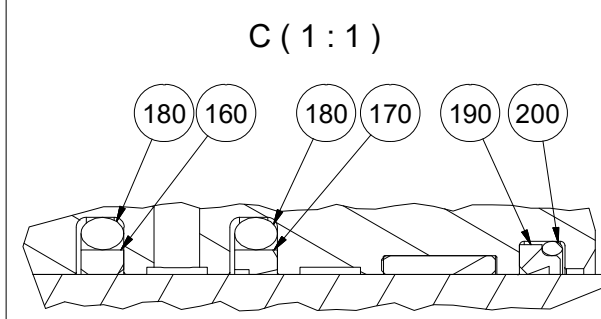
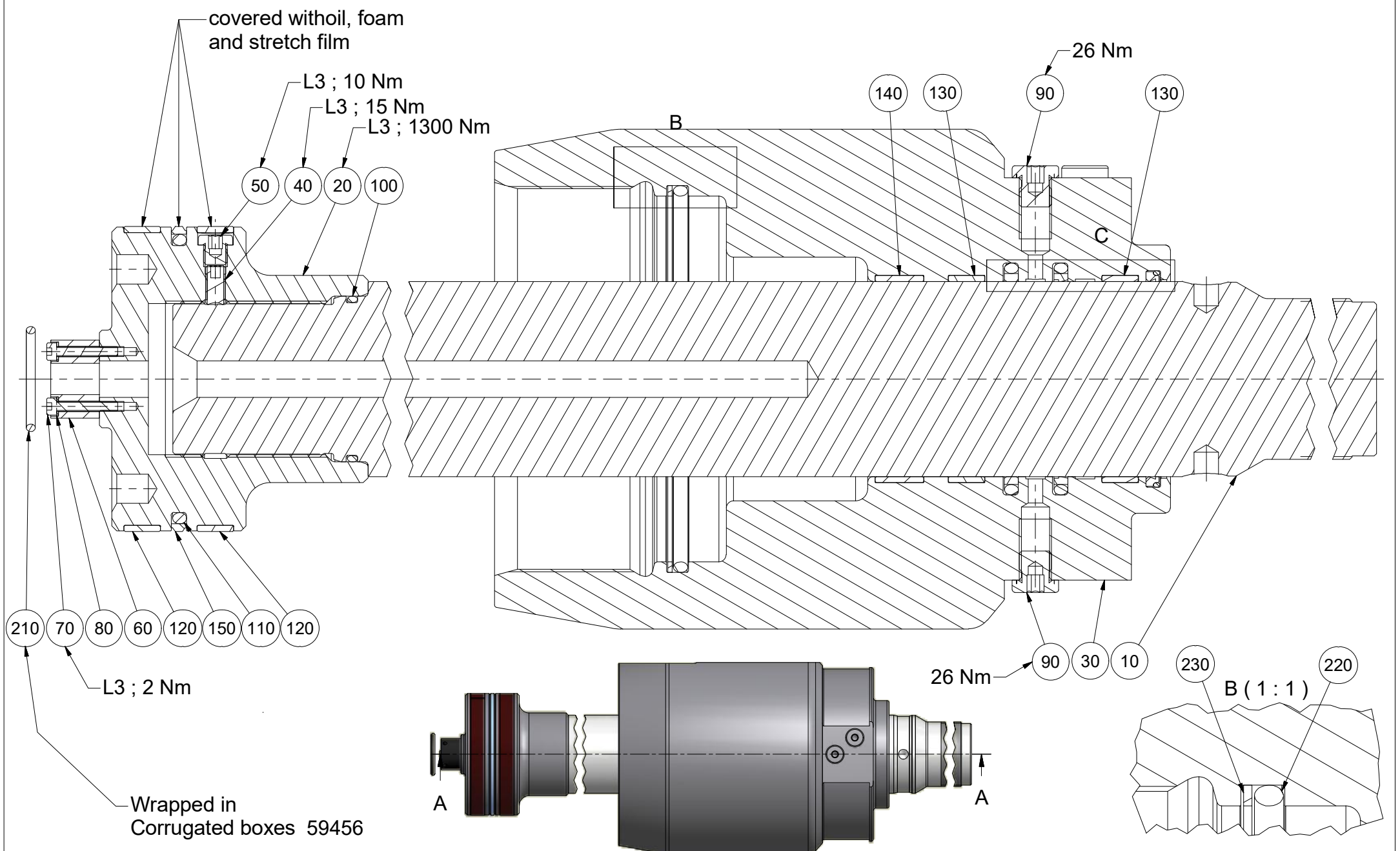
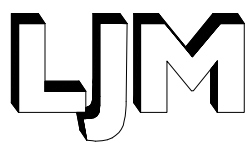


Reservedelsliste - Spare Part List - Ersatzteilliste

Pos.	Stk.	Vare nr.	Beskrivelse	Description	Beschreibung
	Pcs.	Item. no.			
	Stück	Warennr.			
10	1	5520415	SNH30-125/ 80X 760-G(INDUKTIONSHÆ)	SNH30-125/ 80X 760-G (Induc.)	SNH30-125/ 80X 760-G (Induk.)
20	1	5251529	M-sko 021-125-(TN/TV) (3.1+CH)	Piston 021-125-(TN/TV) (3.1+CH)	Kolben 021-125-(TN/TV) (3.1+CH)
30	1	5202599	Overdel 021-125/ 80-(TN/TV)-(3.1+CH)	Gland 021-125/ 80-(TN/TV)-(3.1+CH)	Dicht.buchse 021-125/ 80-(TN/TV)-(3.1+CH)
40	1	27129	Stopskrue M 8x 16 DIN 916-45H	Stop screw M 8x 16 DIN 916-45H	Stopschraube M 8x 16 DIN 916-45H
50	1	34138	Blændprop 1/8"RG - DIN 908 m/pakning	Plug 1/8"RG - DIN 908 with gasket	Stopfen 1/8"RG - DIN 908 mit Dichtung
60	1	35704	BTL-P-2013-4R-SA14, BAM01ZP- Magneti	BTL-P-2013-4R-SA14,BAM01ZP-Magneti	BTL-P-2013-4R-SA14, BAM01ZP- Magneti
70	2	26043	Syrefast unbraco M 4X 25 DIN 912-A4	Acid proof Allen screw M4X25 DIN 912-A4	Säurebestandig Inbusschraube M4X25
80	2	26231	Syrefast c.fj. skive ø4 - DIN 128-A4	Acidproof washer ø4 DIN 128-A4	Säurefest Federring ø4 DIN 128-A4
90	4	34142	Blændprop 1/4"RG - DIN 908 m/pakning	Plug 1/4"RG-DIN 908 with gasket	Stopfen 1/4"RG - DIN 908 mit Dichtung
100	1	31594	O-ring 3,53x 59,92 70 Shore	O-ring 3,53x 59,92 70 Shore	O-ring 3,53x 59,92 70 Shore
110	1	31795	O-RING 5,33X107,32 70 SHORE	O-RING 5,33X107,32 70 SHORE	O-RING 5,33X107,32 70 SHORE
120	2	29754	STRIP 125/120X15,0 - LIGE CUT	Guide ring 125/120X15,0 straight cut	.
130	2	29292	Strip 80/ 85X15,0	Guide ring 80/ 85X15,0	Führungsband 80/ 85X15,0
140	1	29293	STRIP 80/ 85X20,0	Guide ring 80/ 85X20,0	STRIP 80/ 85X20,0
150	1	29601	Seals PGB301250-M12 Stempelpakning	Seals PGB301250-M12	Seals PGB301250-M12
160	1	29602	Seals RGB300800-M12	Seals RGB300800-M12	Seals RGB300800-M12
170	1	29603	Seals RSK300800-M12	Seals RSK300800-M12	Seals RSK300800-M12
180	2	31796	O-ring 5,33X85,09 70 Shore	O-ring 5,33X85,09 70 Shore	O-ring 5,33X85,09 70 Shore
190	1	29604	Afstryger WE3200800-M12	Wiper WE3200800-M12	Abstreifer WE3200800-M12
200	1	31797	O-ring 3,53x 82,14 70 Shore	O-ring 3,53x 82,14 70 Shore	O-ring 3,53x 82,14 70 Shore
210	1	31605	O-ring 3,53X 37,70 90SHORE	O-ring 3,53X 37,70 90SHORE	O-ring 3,53X 37,70 90SHORE
220	1	31784	O-ring 5,33x151,77 70 Shore	O-ring 5,33x151,77 70 Shore	O-ring 5,33x151,77 70 Shore
230	1	31288	Back up-ring 5,33x151,77	Support ring 5,33x151,77	Stützring 5,33x151,77



Modification date 08.06.2017	Modification no. 500000002647	Replaces	Replaces date	Weight 85,1 kg
Tolerance ISO 2768-mK	Title Rep sæt Heavy for Reservedelsalg 5066760		Approved KKF	Project no.
Basic size range	Tolerance	Date 08.06.17		Material no. 5202599H
Over	Up to	Linear	Angle	Signature EJ
0,5	3	± 0,1	± 1'00"	Date 08.06.17
3	6	± 0,1	± 1'00"	Scale (1 : 5)
6	30	± 0,2	± 0'30"	ISO E <input type="checkbox"/> <input checked="" type="checkbox"/>
30	120	± 0,3	± 0'20"	Document no. 10000147669
120	400	± 0,5	± 0'10"	Format A3
400	1000	± 0,8	± 0'05"	Sheet 1 / 1
1000	2000	± 1,2	± 0'05"	Rev. 02
2000	4000	± 2,0	± 0'05"	



Lind Jensens Maskinfabrik A/S
Krogshusvej 7, Højmark
DK-6940 Lem St

This document and the information set forth herein are proprietary to LJM. The information is confidential and subject to copyright protection. The information is placed at the disposal of the receiver solely for personal use and only for manufacture, repair or use of original LJM products, according to contract or other written agreement hereon with LJM. The information must not, either wholly or partly, be copied, reproduced, published or in any other way made available to any third party without written consent from LJM. The information must not, either directly or in succession, be transferred or handed over to any third part to the rights of the receiver.