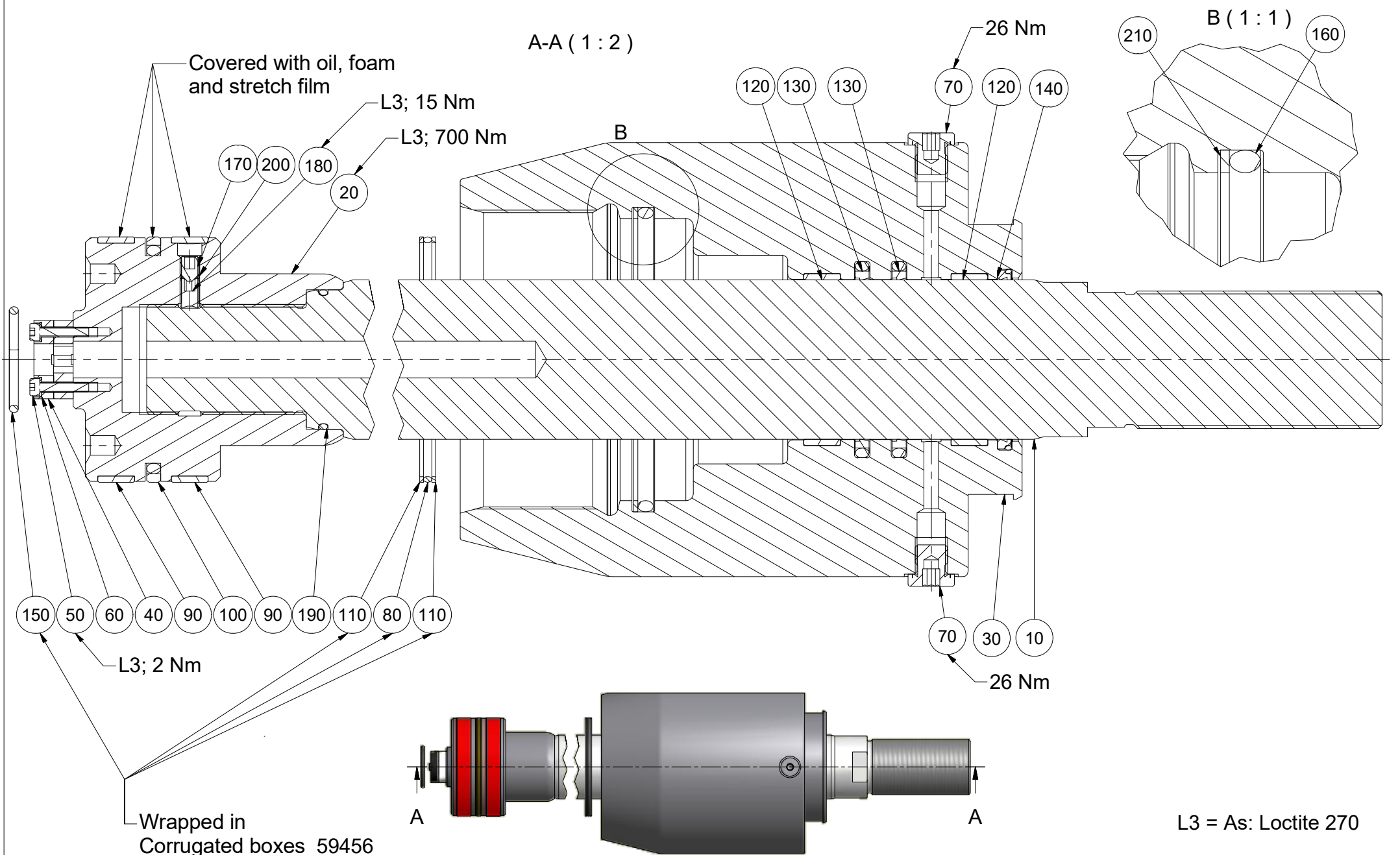


# Reservedelsliste - Spare Part List - Ersatzteilliste

Pos.	Stk.	Vare nr.	Beskrivelse	Description	Beschreibung
	Pcs.	Item. no.			
	Stück	Warennr.			
10	1	5510457	SNH30-100/ 65X 760-G-"T" (3.1+CH) Indu	SNH30-100/ 65X 760-G-"T" (3.1+CH)	SNH30-100/ 65X 760-G-"T" (3.1+CH)
20	1	5250936	M-sko 00000-100-"T"-(TN/TV) (3.1+CH)	Piston 00000-100-"T"-(TN/TV) (3.1+CH)	Kolben 00000-100-"T"-(TN/TV) (3.1+CH)
30	1	5202730	Overdel 00000-100/ 65-(TN/TV) (3.1+CH)	Gland 00000-100/ 65-(TN/TV) (3.1+CH)	Dichtungsbuchse 00000-100/ 65-(TN/TV) (
40	1	35076	BTL-P-1013-4R-SA9 Magnetskive	BTL-P-1013-4R Magnetic disc	BTL-P-1013-4R Magnetscheibe
50	2	26018	Syrefast Unbraco M 4x 20 - DIN 912	Acid proof allen screw M 4x 20 DIN 912	Säurefest Inbusskrue M 4x 20 DIN 912
60	2	26231	Syrefast c.fj. skive ø4 - DIN 128-A4	Acidproof washer ø4 DIN 128-A4	Säurefest Federring ø4 DIN 128-A4
70	2	34142	Blændprop 1/4"RG - DIN 908 m/pakning	Plug 1/4"RG-DIN 908 with gasket	Stopfen 1/4"RG - DIN 908 mit Dichtung
80	1	31358	O-ring 3,0x 94,5	O-ring 3,0x 94,5	O-ring 3,0x 94,5
90	2	29198	Strip Heavy Duty-100x 95x15	Guide ring Heavy Duty-100x 95x15	Führungsband Heavy Duty-100x 95x15
100	1	33747	Seals PGS301000-T49N	Piston seal PGS301000-T49N	Kolbendichtung PGS301000-T49N
110	2	31905	Back up-ring 3,0x 94,5	Support ring 3,0x 94,5	Stützring 3,0x 94,5
120	2	29279	Strip Heavy Duty- 65x 70x15	Guide ring Heavy Duty- 65x 70x15	Führungsband Heavy Duty- 65x 70x15
130	2	33472	Seals PO55-171-0650	Seals PO55-171-0650	Stangendichtung PO55-171-0650
140	1	33940	Afstryger PO55-591-0650	Wiper PO55-591-0650	Abstreifer PO55-591-0650
150	1	31605	O-ring 3,53X 37,70 90SHORE	O-ring 3,53X 37,70 90SHORE	O-ring 3,53X 37,70 90SHORE
160	1	31724	O-ring 5,7x114,2	O-ring 5,7x114,2	O-ring 5,7x114,2
170	1	27235	Stopskrue M 8x 10 DIN 914-45H	Stop screw M 8x 10 DIN 914-45H	Stopskrue M 8x 10 DIN 914-45H
180	1	27270	Stopskrue M 8x 12 DIN 916-45H	Stop screw M 8x 12 DIN 916-45H	Stopskrue M 8x 12 DIN 916-45H
190	1	31399	O-ring 3,0x 52,2	O-ring 3,0x 52,2	O-ring 3,0x 52,2
200	1	31054	O-RING 1,5X 3,5	O-RING 1,5X 3,5	O-RING 1,5X 3,5
210	1	31270	Back up-ring 5,7x114,2	Support ring 5,7x114,2	Stützring 5,7x114,2



Modification date <b>08.06.2017</b>	Modification no. <b>500000002647</b>	Replaces	Replaces date	Weight <b>56,9 kg</b>																																								
Tolerance <b>ISO 2768-mK</b>	Title <b>Rep sæt Heavy for Reservedelsalg 5056800</b>		Approved <b>KKF</b>	Project no. <b>021-3704-3</b>																																								
<table border="1" style="font-size: small;"> <thead> <tr> <th>Basic size range</th> <th>Tolerance</th> <th>Linear</th> <th>Angle</th> </tr> </thead> <tbody> <tr> <td>Over</td> <td>Up to</td> <td></td> <td></td> </tr> <tr> <td>0,5</td> <td>3</td> <td>± 0,1</td> <td>± 1'00"</td> </tr> <tr> <td>3</td> <td>6</td> <td>± 0,1</td> <td>± 1'00"</td> </tr> <tr> <td>6</td> <td>30</td> <td>± 0,2</td> <td>± 0'30"</td> </tr> <tr> <td>30</td> <td>120</td> <td>± 0,3</td> <td>± 0'20"</td> </tr> <tr> <td>120</td> <td>400</td> <td>± 0,5</td> <td>± 0'10"</td> </tr> <tr> <td>400</td> <td>1000</td> <td>± 0,8</td> <td>± 0'05"</td> </tr> <tr> <td>1000</td> <td>2000</td> <td>± 1,2</td> <td>± 0'05"</td> </tr> <tr> <td>2000</td> <td>4000</td> <td>± 2,0</td> <td>± 0'05"</td> </tr> </tbody> </table>	Basic size range	Tolerance	Linear	Angle	Over	Up to			0,5	3	± 0,1	± 1'00"	3	6	± 0,1	± 1'00"	6	30	± 0,2	± 0'30"	30	120	± 0,3	± 0'20"	120	400	± 0,5	± 0'10"	400	1000	± 0,8	± 0'05"	1000	2000	± 1,2	± 0'05"	2000	4000	± 2,0	± 0'05"		Lind Jensens Maskinfabrik A/S Kroghusvej 7, Højmark DK-6940 Lem St	Date <b>08.06.17</b>	Material no. <b>5201655H</b>
Basic size range	Tolerance	Linear	Angle																																									
Over	Up to																																											
0,5	3	± 0,1	± 1'00"																																									
3	6	± 0,1	± 1'00"																																									
6	30	± 0,2	± 0'30"																																									
30	120	± 0,3	± 0'20"																																									
120	400	± 0,5	± 0'10"																																									
400	1000	± 0,8	± 0'05"																																									
1000	2000	± 1,2	± 0'05"																																									
2000	4000	± 2,0	± 0'05"																																									
			Signature <b>EJ</b>	Document no. <b>10000148004</b>																																								
			Date <b>08.06.17</b>	Scale <b>( 1 : 5 )</b>																																								
			ISO E	Format <b>A3</b>																																								
			Sheet <b>1 / 1</b>	Rev. <b>03</b>																																								

This document and the information set forth herein are proprietary to LJM. The information is confidential and subject to copyright protection. The information is placed at the disposal of the receiver solely for personal use and only for manufacture, repair or use of original LJM products, according to contract or other written agreement hereon with LJM. The information must not, either wholly or partly, be copied, reproduced, published or in any other way made available to any third part without written consent from LJM. The information must not, either directly or in succession, be transferred or handed over to any third part to the rights of the receiver. Rev.:03