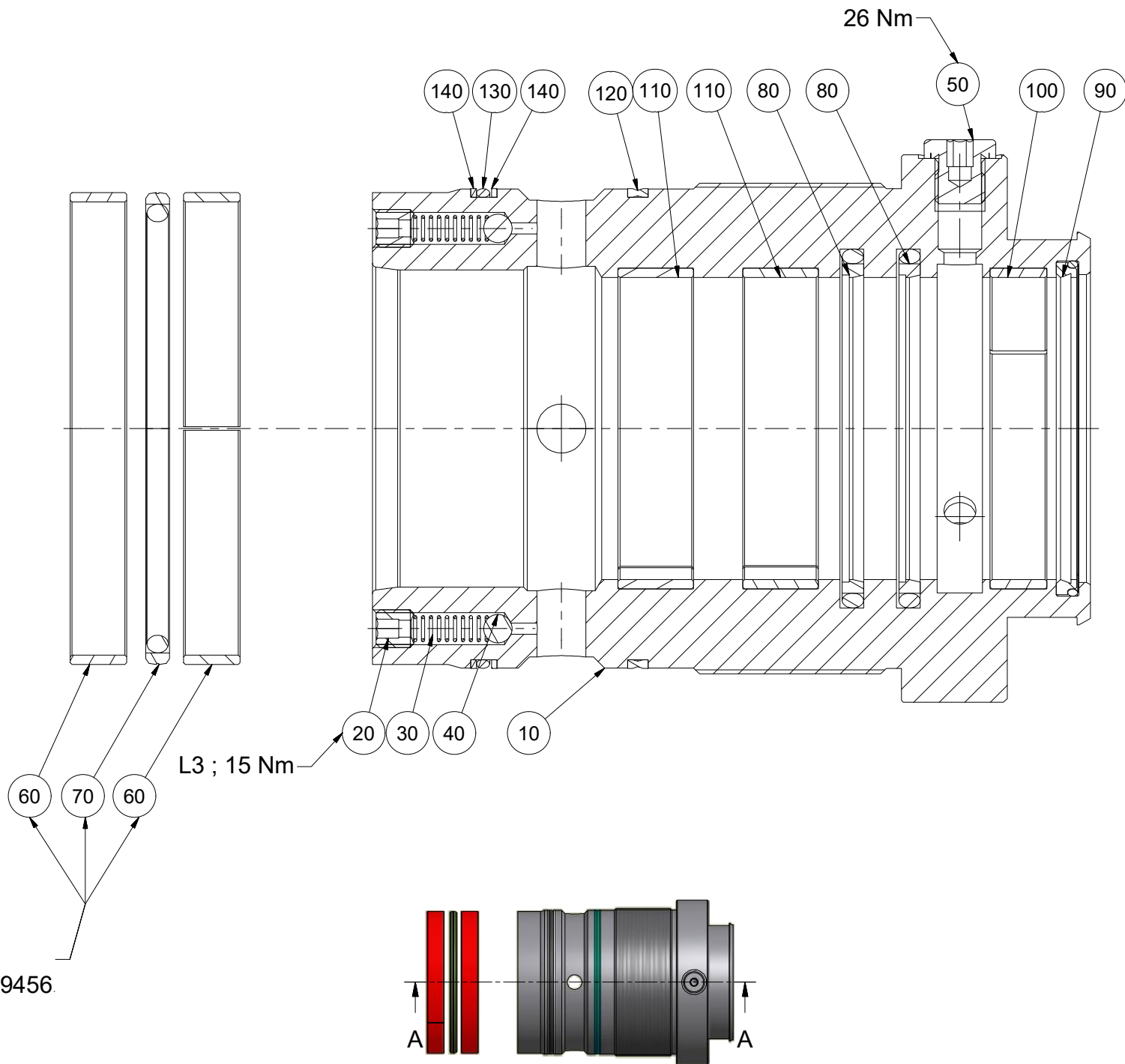


Reservedelsliste - Spare Part List - Ersatzteilliste

Pos.	Stk.	Vare nr.	Beskrivelse	Description	Beschreibung
	Pcs.	Item. no.			
	Stück	Warennr.			
10	1	5201261	Overdel 00000-125/ 80-(TN/TV) (3.1+CH)	Gland 00000-125/ 80-(TN/TV) (3.1+CH)	Dichtungsbuchse 00000-125/ 80-(TN/TV)(3
20	4	2049004	Ventilskruer uden slids NH30-	Valve screw without slot NH30-	Ventilschraube ohne Schlitz NH30-
30	4	56736	Trykfjeder \varnothing 0,90x7,0UDVx19x10V	Pressure spring \varnothing 0,90x7,0UDVx19x10V	Druckfeder \varnothing 0,90x7,0UDVx19x10V
40	4	55001	Stålkugle 7,5 mm	Steel ball 7,5 mm	Stahlkugel 7,5 mm
50	3	34142	Blændprop 1/4"RG - DIN 908 m/pakning	Plug 1/4"RG-DIN 908 with gasket	Stopfen 1/4"RG - DIN 908 mit Dichtung
60	2	29095	Strip Heavy Duty-125x120x15	Guide ring Heavy Duty-125x120x15	Führungsband Heavy Duty-125x120x15
70	1	29085	Seals PGS301250-T49N Stempelpakning	Seals PGS301250-T49N Piston seal	Seals PGS301250-T49N Kolbendichtung
80	2	33477	SEALS PO55-171-0800	SEALS PO55-171-0800	SEALS PO55-171-0800
90	1	33895	Afstryger PO55-591-0800	Wiper PO55-591-0800	Abstreifer PO55-591-0800
100	1	29096	Strip Heavy Duty- 80x 85x15	Guide ring Heavy Duty- 80x 85x15	Führungsband Heavy Duty- 80x 85x15
110	2	29097	Strip Heavy Duty- 80x 85x20	Guide ring Heavy Duty- 80x 85x20	Führungsband Heavy Duty- 80x 85x20
120	1	29527	Dualseal 122,4/127x5,5-Z20	Dualseal 122,4/127x5,5-Z20	Dualseal 122,4/127x5,5-Z20
130	1	31365	O-ring 3,0x119,5	O-ring 3,0x119,5	O-ring 3,0x119,5
140	2	31137	Back up-ring 3,0x119,5	Support ring 3,0x119,5	Stützring 3,0x119,5



Modification date	Modification no.	Replaces	Replaces date	Weight 10,4 kg																																								
Tolerance ISO 2768-mK		Title Rep.sæt Light for Reservedelssalg 5066609/5066492/5067091		Approved LEP Date 23.06.16 Signature MB Date 23.06.16																																								
<table border="1" style="font-size: small;"> <thead> <tr> <th>Basic size range</th> <th>Tolerance</th> <th>Linear</th> <th>Angle</th> </tr> </thead> <tbody> <tr> <td>Over</td> <td>Up to</td> <td></td> <td></td> </tr> <tr> <td>0,5</td> <td>3</td> <td>$\pm 0,1$</td> <td>$\pm 1'00''$</td> </tr> <tr> <td>3</td> <td>6</td> <td>$\pm 0,1$</td> <td>$\pm 1'00''$</td> </tr> <tr> <td>6</td> <td>30</td> <td>$\pm 0,2$</td> <td>$\pm 0'30''$</td> </tr> <tr> <td>30</td> <td>120</td> <td>$\pm 0,3$</td> <td>$\pm 0'20''$</td> </tr> <tr> <td>120</td> <td>400</td> <td>$\pm 0,5$</td> <td>$\pm 0'10''$</td> </tr> <tr> <td>400</td> <td>1000</td> <td>$\pm 0,8$</td> <td>$\pm 0'05''$</td> </tr> <tr> <td>1000</td> <td>2000</td> <td>$\pm 1,2$</td> <td>$\pm 0'05''$</td> </tr> <tr> <td>2000</td> <td>4000</td> <td>$\pm 2,0$</td> <td>$\pm 0'05''$</td> </tr> </tbody> </table>		Basic size range	Tolerance	Linear	Angle	Over	Up to			0,5	3	$\pm 0,1$	$\pm 1'00''$	3	6	$\pm 0,1$	$\pm 1'00''$	6	30	$\pm 0,2$	$\pm 0'30''$	30	120	$\pm 0,3$	$\pm 0'20''$	120	400	$\pm 0,5$	$\pm 0'10''$	400	1000	$\pm 0,8$	$\pm 0'05''$	1000	2000	$\pm 1,2$	$\pm 0'05''$	2000	4000	$\pm 2,0$	$\pm 0'05''$	<div style="text-align: center;"> <p>Lind Jensens Maskinfabrik A/S Kroghusvej 7, Højmark DK-6940 Lem St</p> </div>		Project no. 021-4099-3 Material no. 5201261L Document no. 10000147464
Basic size range	Tolerance	Linear	Angle																																									
Over	Up to																																											
0,5	3	$\pm 0,1$	$\pm 1'00''$																																									
3	6	$\pm 0,1$	$\pm 1'00''$																																									
6	30	$\pm 0,2$	$\pm 0'30''$																																									
30	120	$\pm 0,3$	$\pm 0'20''$																																									
120	400	$\pm 0,5$	$\pm 0'10''$																																									
400	1000	$\pm 0,8$	$\pm 0'05''$																																									
1000	2000	$\pm 1,2$	$\pm 0'05''$																																									
2000	4000	$\pm 2,0$	$\pm 0'05''$																																									
		Scale (1 : 5) ISO E Format A3		Sheet 1 / 1 Rev. 01																																								

This document and the information set forth herein are proprietary to LJM. The information is confidential and subject to copyright protection. The information is placed at the disposal of the receiver solely for personal use and only for manufacture, repair or use of original LJM products, according to contract or other written agreement hereon with LJM. The information must not, either wholly or partly, be copied, reproduced, published or in any other way made available to any third part without written consent from LJM. The information must not, either directly or in succession, be transferred or handed over to any third part to the rights of the receiver. Rev.:03