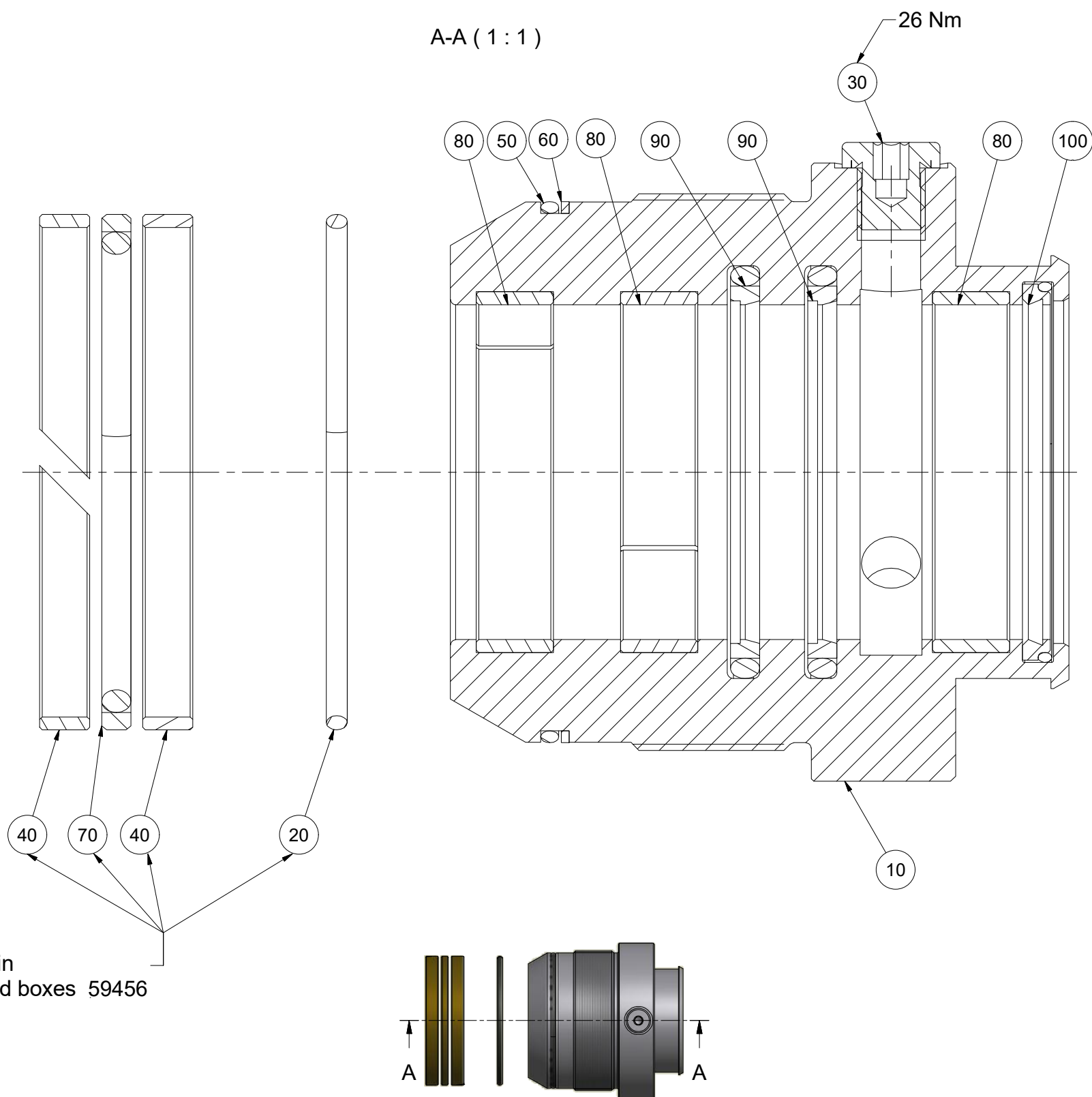


Reservedelsliste - Spare Part List - Ersatzteilliste

Pos.	Stk.	Vare nr.	Beskrivelse	Description	Beschreibung
	Pcs.	Item. no.			
	Stück	Warennr.			
10	1	5200695	Overdel 00000-100/ 65-(TN/TV)	Gland 00000-100/ 65-(TN/TV)	Dichtungsbuchse 00000-100/ 65-(TN/TV)
20	1	31473	O-ring 3,53X 94,84	O-ring 3,53X 94,84	O-ring 3,53X 94,84
30	3	34142	Blændprop 1/4"RG - DIN 908 m/pakning	Plug 1/4"RG-DIN 908 with gasket	Stopfen 1/4"RG - DIN 908 mit Dichtung
40	0,6	33632	Strip -Let drift 2,5x 9,7mm	Guide ring -Light duty 2,5x 9,7mm	Führungsband -Leicht betrieb 2,5x 9,7mm
50	1	31360	O-ring 3,0x 99,5	O-ring 3,0x 99,5	O-ring 3,0x 99,5
60	1	31907	Back up-ring 3,0x 99,5	Support ring 3,0x 99,5	Stützring 3,0x 99,5
70	1	33747	Seals PGS301000-T49N	Piston seal PGS301000-T49N	Kolbendichtung PGS301000-T49N
80	3	29279	Strip Heavy Duty- 65x 70x15	Guide ring Heavy Duty- 65x 70x15	Führungsband Heavy Duty- 65x 70x15
90	2	33472	Seals PO55-171-0650	Seals PO55-171-0650	Stangendichtung PO55-171-0650
100	1	33940	Afstryger PO55-591-0650	Wiper PO55-591-0650	Abstreifer PO55-591-0650



Modification date	Modification no.	Replaces	Replaces date	Weight 4,54 kg																																							
Tolerance ISO 2768-mK		Title Rep.sæt Light for Reservedelssalg 5056412		Approved LEP Date 22.06.16 Project no. 021-4994-3																																							
<table border="1" style="font-size: small;"> <thead> <tr> <th>Basic size range</th> <th>Tolerance</th> <th>Linear</th> <th>Angle</th> </tr> <tr> <th>Over</th> <th>Up to</th> <th></th> <th></th> </tr> </thead> <tbody> <tr><td>0,5</td><td>3</td><td>± 0,1</td><td>± 1'00"</td></tr> <tr><td>3</td><td>6</td><td>± 0,1</td><td>± 1'00"</td></tr> <tr><td>6</td><td>30</td><td>± 0,2</td><td>± 0'30"</td></tr> <tr><td>30</td><td>120</td><td>± 0,3</td><td>± 0'20"</td></tr> <tr><td>120</td><td>400</td><td>± 0,5</td><td>± 0'10"</td></tr> <tr><td>400</td><td>1000</td><td>± 0,8</td><td>± 0'05"</td></tr> <tr><td>1000</td><td>2000</td><td>± 1,2</td><td>± 0'05"</td></tr> <tr><td>2000</td><td>4000</td><td>± 2,0</td><td>± 0'05"</td></tr> </tbody> </table>		Basic size range	Tolerance	Linear	Angle	Over	Up to			0,5	3	± 0,1	± 1'00"	3	6	± 0,1	± 1'00"	6	30	± 0,2	± 0'30"	30	120	± 0,3	± 0'20"	120	400	± 0,5	± 0'10"	400	1000	± 0,8	± 0'05"	1000	2000	± 1,2	± 0'05"	2000	4000	± 2,0	± 0'05"	Signature MB Date 22.06.16 Material no. 5200695L	
Basic size range	Tolerance	Linear	Angle																																								
Over	Up to																																										
0,5	3	± 0,1	± 1'00"																																								
3	6	± 0,1	± 1'00"																																								
6	30	± 0,2	± 0'30"																																								
30	120	± 0,3	± 0'20"																																								
120	400	± 0,5	± 0'10"																																								
400	1000	± 0,8	± 0'05"																																								
1000	2000	± 1,2	± 0'05"																																								
2000	4000	± 2,0	± 0'05"																																								
Lind Jensens Maskinfabrik A/S Kroghusvej 7, Højmark DK-6940 Lem St		Scale (1 : 4) ISO E Document no. 10000147592																																									
		Format A3 Sheet 1 / 1 Rev. 01																																									

This document and the information set forth herein are proprietary to LJM. The information is confidential and subject to copyright protection. The information is placed at the disposal of the receiver solely for personal use and only for manufacture, repair or use of original LJM products, according to contract or other written agreement hereon with LJM. The information must not, either wholly or partly, be copied, reproduced, published or in any other way made available to any third part without written consent from LJM. The information must not, either directly or in succession, be transferred or handed over to any third part to the rights of the receiver. Rev.:03