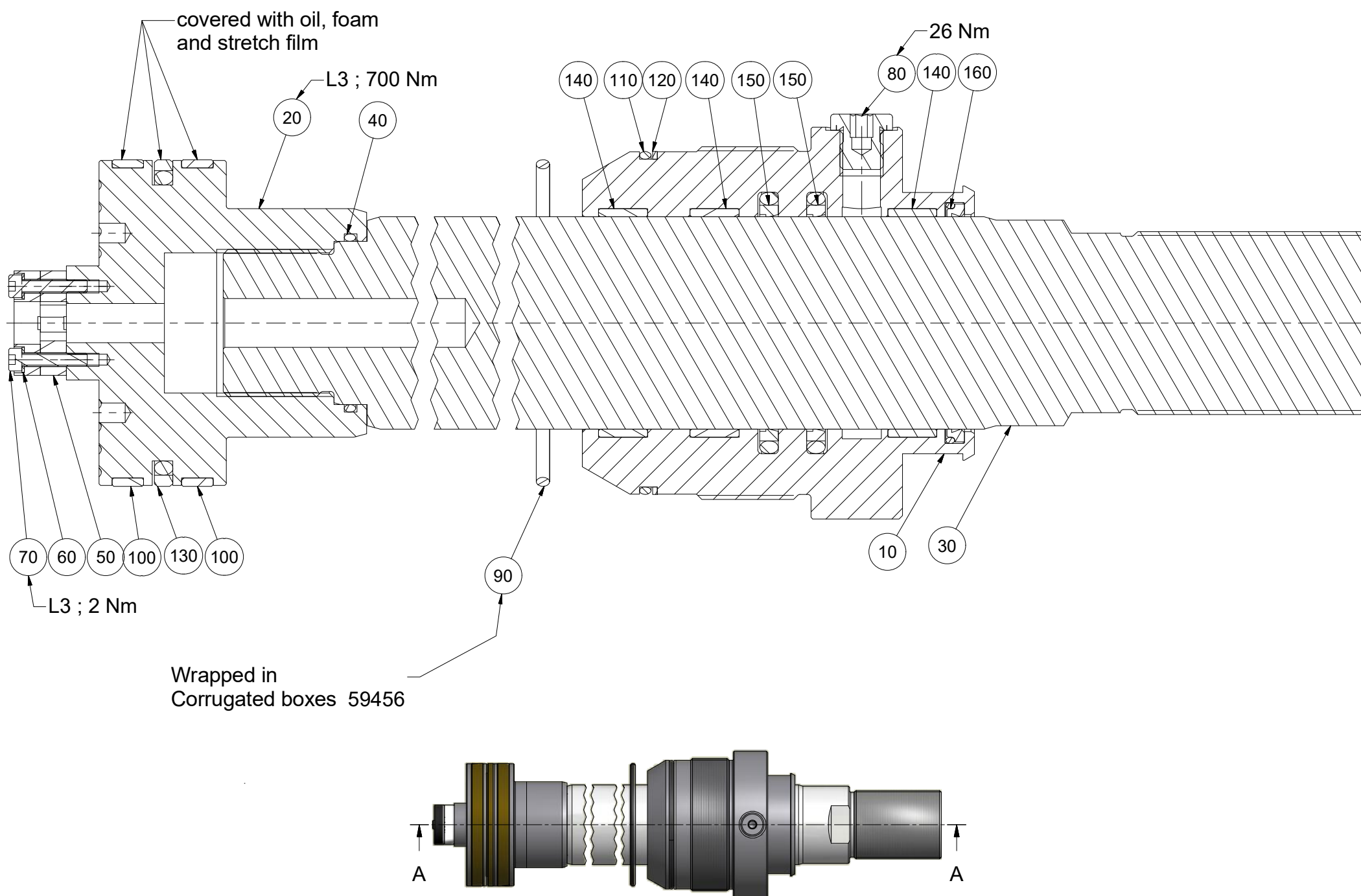


# Reservedelsliste - Spare Part List - Ersatzteilliste

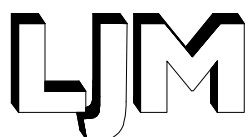
Pos.	Stk.	Vare nr.	Beskrivelse	Description	Beschreibung
	Pcs.	Item. no.			
	Stück	Warennr.			
10	1	5200695	Overdel 00000-100/ 65-(TN/TV)	Gland 00000-100/ 65-(TN/TV)	Dichtungsbuchse 00000-100/ 65-(TN/TV)
20	1	5250364	M-sko SNH30-100-"T"-(TN/TV)	Piston SNH30-100-"T"-(TN/TV)	Kolben SNH30-100-"T"-(TN/TV)
30	1	5510159	021-100/ 65X 532-G-"T"	021-100/ 65X 532-G-"T"	021-100/ 65X 532-G-"T"
40	1	31409	O-ring 3,0x 49,5 90 Shore	O-ring 3,0x 49,5 90 Shore	O-ring 3,0x 49,5 90 Shore
50	1	35076	BTL-P-1013-4R-SA9 Magnetskive	BTL-P-1013-4R Magnetic disc	BTL-P-1013-4R Magnetscheibe
60	2	26231	Syrefast c.fj. skive ø4 - DIN 128-A4	Acidproof washer ø4 DIN 128-A4	Säurefest Federring ø4 DIN 128-A4
70	2	26018	Syrefast Unbraco M 4x 20 - DIN 912	Acid proof allen screw M 4x 20 DIN 912	Säurefest Inbusschraube M 4x 20 DIN 912
80	3	34142	Blændprop 1/4"RG - DIN 908 m/pakning	Plug 1/4"RG-DIN 908 with gasket	Stopfen 1/4"RG - DIN 908 mit Dichtung
90	1	31473	O-ring 3,53X 94,84	O-ring 3,53X 94,84	O-ring 3,53X 94,84
100	0,6	33632	Strip -Let drift 2,5x 9,7mm	Guide ring -Light duty 2,5x 9,7mm	Führungsband -Leicht betrieb 2,5x 9,7mm
110	1	31360	O-ring 3,0x 99,5	O-ring 3,0x 99,5	O-ring 3,0x 99,5
120	1	31907	Back up-ring 3,0x 99,5	Support ring 3,0x 99,5	Stützring 3,0x 99,5
130	1	33747	Seals PGS301000-T49N	Piston seal PGS301000-T49N	Kolbendichtung PGS301000-T49N
140	3	29279	Strip Heavy Duty- 65x 70x15	Guide ring Heavy Duty- 65x 70x15	Führungsband Heavy Duty- 65x 70x15
150	2	33472	Seals PO55-171-0650	Seals PO55-171-0650	Stangendichtung PO55-171-0650
160	1	33940	Afstryger PO55-591-0650	Wiper PO55-591-0650	Abstreifer PO55-591-0650

A-A ( 2 : 3 )



L3 = As: Loctite 270

Modification date	Modification no.	Replaces	Replaces date	Weight																																							
				29,3 kg																																							
Tolerance		Title		Approved																																							
ISO 2768-mK		Rep sæt Heavy for Reservedelsalg 5056412		LEP																																							
<table border="1" style="font-size: small; border-collapse: collapse;"> <thead> <tr> <th>Basic size range</th> <th>Tolerance</th> <th>Linear</th> <th>Angle</th> </tr> </thead> <tbody> <tr> <td>Over</td> <td>Up to</td> <td></td> <td></td> </tr> <tr> <td>0,5</td> <td>3</td> <td>± 0,1</td> <td>± 1'00"</td> </tr> <tr> <td>3</td> <td>6</td> <td>± 0,1</td> <td>± 1'00"</td> </tr> <tr> <td>6</td> <td>30</td> <td>± 0,2</td> <td>± 0'30"</td> </tr> <tr> <td>30</td> <td>120</td> <td>± 0,3</td> <td>± 0'20"</td> </tr> <tr> <td>120</td> <td>400</td> <td>± 0,5</td> <td>± 0'10"</td> </tr> <tr> <td>400</td> <td>1000</td> <td>± 0,8</td> <td>± 0'05"</td> </tr> <tr> <td>1000</td> <td>2000</td> <td>± 1,2</td> <td>± 0'05"</td> </tr> <tr> <td>2000</td> <td>4000</td> <td>± 2,0</td> <td>± 0'05"</td> </tr> </tbody> </table>				Basic size range	Tolerance	Linear	Angle	Over	Up to			0,5	3	± 0,1	± 1'00"	3	6	± 0,1	± 1'00"	6	30	± 0,2	± 0'30"	30	120	± 0,3	± 0'20"	120	400	± 0,5	± 0'10"	400	1000	± 0,8	± 0'05"	1000	2000	± 1,2	± 0'05"	2000	4000	± 2,0	± 0'05"
Basic size range	Tolerance	Linear	Angle																																								
Over	Up to																																										
0,5	3	± 0,1	± 1'00"																																								
3	6	± 0,1	± 1'00"																																								
6	30	± 0,2	± 0'30"																																								
30	120	± 0,3	± 0'20"																																								
120	400	± 0,5	± 0'10"																																								
400	1000	± 0,8	± 0'05"																																								
1000	2000	± 1,2	± 0'05"																																								
2000	4000	± 2,0	± 0'05"																																								
			22.06.16	021-4994-3																																							
			Signature	Material no.																																							
			MB	5200695H																																							
			Date	Document no.																																							
			22.06.16	10000147603																																							
			Scale																																								
			( 1 : 4 )																																								
			ISO E																																								
			Format	Sheet																																							
			A3	1 / 1																																							
			Rev.	01																																							



Lind Jensens Maskinfabrik A/S  
Kroghusvej 7, Højmark  
DK-6940 Lem St